

Specifications:

Housing: Ballast housing, ballast compartment cover, and wiring compartment cover made from cast C84400 bronze and assembled with 18-8 stainless steel hardware.

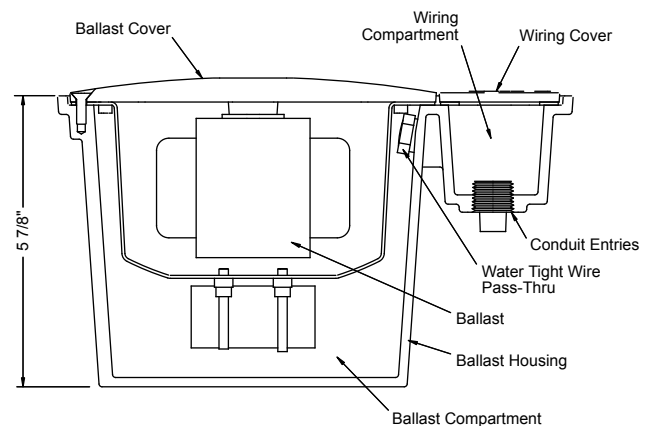
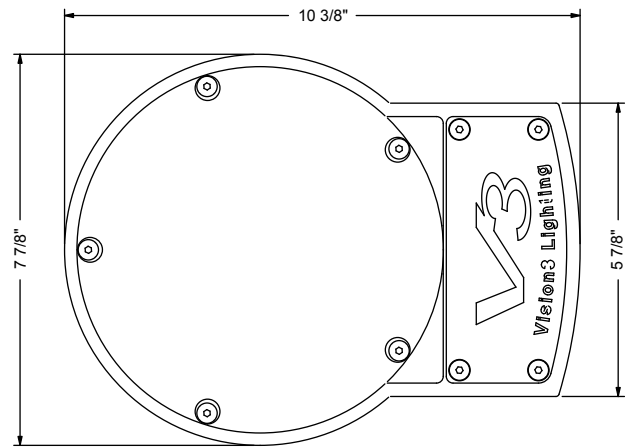
Seals: Ballast cover and wiring cover use self-adhesive, high temperature, silicone gaskets to prevent leaking. Water tight pass-thru's create a wire passage that does not allow water to enter the ballast compartment in the event of the wiring compartment becoming flooded.

Electrical: Ballast housing is cast with two 3/4" NPT and one 1/2" NPT conduit entries on the bottom of the wiring compartment for conduit connection, cable entry, wiring to fixture, and feed through wiring. (Conduit, cable, and plugs for unused entries not included.)

Ballast: 60 Hz input, high power factor, magnetic metal halide ballast available in 39W, 70W, 100W, or 150W. Multi-tap (120V, 208V, 240V, 277V) input. Minimum lamp starting temperature: -30°C. Maximum remote distance: 50 feet.

Finish: TGIC thermo-set polyester powder coat paint available in 14 standard colors. Also available in two bronze metal finishes: Natural and Aged.

Certification: CSA tested & certified to US and Canadian safety standards for wet location landscape use per UL1598 & CSA C22.2 No. 250-00.



Ordering Information:

Fixture Catalog String ^{1,2}	BM3 Model	Finish	M-MH Ballast Type ³	Wattage ³	Voltage	LR Ignitor
		BL - Black	M-MH - Magnetic Metal Halide	39 - 39 Watts	120 - 120 Volts	LR - Long Range
		BLT - Textured Black		70 - 70 Watts	208 - 208 Volts	
		BN - Bronze		100 - 100 Watts	240 - 240 Volts	
		BNT - Textured Bronze		150 - 150 Watts	277 - 277 Volts	
		BAT - Textured Bark				
		WI - White				
		GRT - Textured Green				
		SI - Silver				
		GY - Grey				
		BE - Beige				
		GNT - Textured Granite				
		SAT - Textured Sand				
		PAT - Textured Patina				
		EAT - Textured Earth				
		NAT - Natural				
		AGE - Aged				

Notes:

- Ballast must be specified with an approved Vision3 Lighting metal halide fixture.
- See fixture submittal for specifications, limitations, and correct catalog number logic.
- Ballast type and wattage must match fixture lamp type.
- Specifications, certifications, and ordering information are subject to change. Please check website for latest specification sheets.

Example: *Fixture Catalog String - BM3 - EAT - M-MH - 70 - 277 - LR*