

Installation Instructions

INSTRUCTIONS PERTAINING TO A RISK OF FIRE, OR INJURY TO PERSONS. IMPORTANT SAFETY INSTRUCTIONS

Warning! To reduce the risk of FIRE OR INJURY TO PERSONS:

1. Do not touch luminaire while lamp is on. Turn off/unplug and allow to cool before replacing lamp.
2. Lamp gets HOT quickly! Contact only switch/plug when turning on.
3. Do not touch hot lens, body, cap, or knuckle.
4. Keep lamp away from materials that may burn.
5. Do not touch lamp at any time. Use a soft cloth. Oil from your skin may damage lamp.
6. Do not operate the luminaire with damaged or missing parts.
8. Do not install luminaire within 10 feet of a pool, spa, or fountain.
9. Have fixture installed in accordance with all applicable installation codes and standards by a person familiar with the construction and operation of the fixture and the hazards involved.
10. Use only cable properly rated for the application. Cable buried more than 6" must be suitable for direct burial. Direct burial cable may be ordered from Vision3 Lighting.

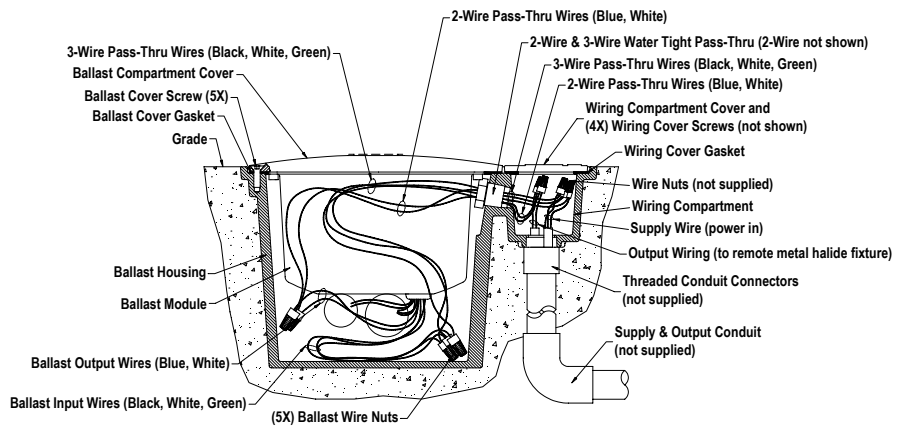
SAVE THESE INSTRUCTIONS

Unpack & Inspect:

- 1) Unpack the BM3 In Grade Remote Ballast from its shipping container.
- 2) Check that there are no damaged or missing components.
- 3) Remove the five **Ballast Cover Screw's** and four **Wiring Cover Screw's** with a 1/8" hex tool.
- 4) Remove the **Ballast Module** and **Wiring Cover** from the **Ballast Housing** (remove wire nuts as necessary and set aside).

Install Ballast Housing In-grade:

- 1) At the desired location, prepare an appropriate size hole for the **Ballast Housing**.
- 2) Run the **Supply & Output Conduit** (not supplied) to the prepared hole. Note: Check all applicable building codes for requirements regarding landscape lighting conduit and cable.
- 3) Place the **Ballast Housing** in-grade and attach the conduit to the **Wiring Compartment** using **Threaded Conduit Connectors** (not supplied), adhering to all standards and practices for creating a water tight junction between the **Wiring Compartment** and conduit. Note: The **Wiring Compartment** has two 3/4" NPT and one 1/2" NPT threaded openings for conduit entry.
- 4) Cap any unused threaded conduit entries on the bottom of the **Wiring Compartment** with brass NPT pipe plugs to ensure a water tight seal. Note: The **Ballast Housing** is shipped with one open 3/4" NPT, one pre-plugged 3/4" NPT, and one pre-plugged 1/2" NPT conduit entries.
- 5) Secure the **Ballast Housing** by filling in the hole with dirt or cement until flush with the top of the housing.
- 6) Feed **Supply Wire** and **Output Wiring** through the **Supply & Output Conduit** into the **Wiring Compartment** to facilitate connections.



Make Electrical Connections:

- 1) Using the supplied **Ballast Wire Nuts**, connect the **3-Wire Pass-Thru Wires** in the **Ballast Housing** to the **Ballast Input Wires**. ('Green' to 'Green', 'White' to 'White', and 'Black' to remaining ballast input lead.)
- 2) Using the two remaining supplied **Ballast Wire Nuts**, connect the **2-Wire Pass-Thru Wires** in the **Ballast Housing** to the **Ballast Output Wires**. ('Blue' to 'Blue', 'White' to 'White')
- 3) Using the appropriate size wire nuts, connect the **2-Wire Pass-Thru Wires** in the **Wiring Compartment** to the **Output Wiring** that leads to the remote metal halide fixture. ('White' pass-thru lead to the fixtures 'Lamp Shell' lead (usually white), and 'Blue' pass-thru lead to the fixtures 'Lamp Post' lead (usually blue or black). Note: Check labels on the **Ballast Module** and remote fixture to make sure they are compatible.
- 4) Using the appropriate size wire nuts, connect the **3-Wire Pass-Thru Wires** in the **Wiring Compartment** to the **Supply Wires**. ('Green' to 'Ground' lead, 'White' to 'common' lead, and 'Black' to 'hot' lead.) Note: Check label on **Ballast Module** to make sure ballast is rated for the supply power.

Re-assemble:

- 1) Double check all wiring, power, and conduit connections.
- 2) Clean and inspect the **Ballast Cover Gasket**, the **Wiring Cover Gasket** and their mating surfaces on the **Ballast Housing**.
- 3) Carefully slip all input power wiring and connectors into the **Wiring Compartment**.
- 4) Replace the **Wiring Compartment Cover** and four **Wiring Cover Screws**. Tighten screws with a 1/8" hex tool until the **Wiring Cover Gasket** is thoroughly compressed.
- 5) Slip the **Ballast Module** into the **Ballast Housing**, being careful not to damage the wiring.
- 6) Install the five **Ballast Cover Screw's** and tighten with a 1/8" hex tool until the **Ballast Cover Gasket** is thoroughly compressed.