



Surface Mount Ballast Canopy **MODEL BM6**

120/208/240/277 Volt, 39 Watt Max.

Specifications:

Canopy Base: Canopy Base made from cast 356 aluminum or cast C84400 bronze. Bronze models available with as-cast or machined finish. Hole pattern allows for mounting to the wall as a surface mount ballast box (base mounting hardware not included).

Canopy Cover: Thick walled cast 356 aluminum or cast C84400 bronze canopy cover prevents deflection and 'sag' of mounted fixtures. Bronze models available with as-cast or machined finish. Non-threaded mounting hole option allows for versatility, while the threaded mounting hole option can be used for maximum strength (threaded mount hole option requires the use of a fixture with the 'Rotate and Lock Knuckle'). Canopy cover mounts to the canopy base with four 18-8 stainless steel captive screws, which are retained by the cover. Captive screws prevent loss of screws, and provides for safe and easy installation. Captive screw heads are sized the same as the knuckle adjustment screws on Vision3 Lighting flood fixtures, requiring only one tool for installation and adjustment. Alignment pins orient the canopy cover with the canopy base, simplifying installation by ensuring that the cover screws are always lined up properly.

Seals: O-ring groove on canopy cover allows for use of an O-ring to prevent leaking between canopy cover and fixture knuckle. (All Vision3 flood fixtures

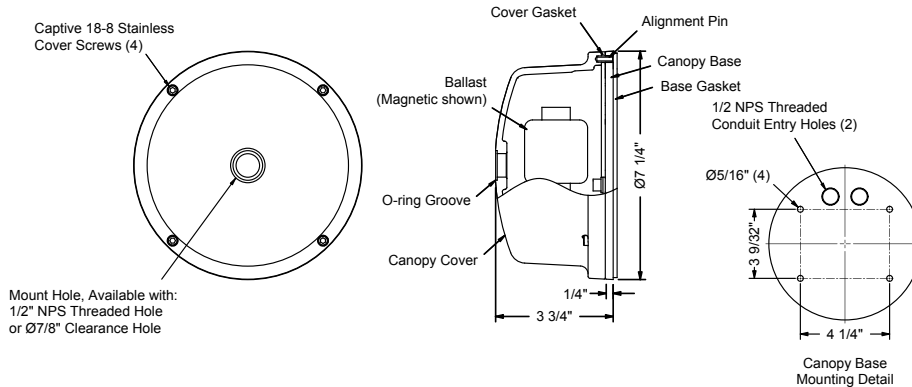
come with a high temperature, black Viton O-ring on the knuckle for this purpose). High temperature foam silicone gaskets prevent leaking between the canopy cover, canopy base, and mounting surface. (Canopy base gasket may not work properly if mounting surface is too rough).

Magnetic Ballast: 60 Hz input, high power factor, magnetic metal halide ballast available in 39W. Multi-tap (120V, 208V, 240V, 277V) input allows for field wiring to desired voltage. Minimum lamp starting temperature: -30°C.

Electronic Ballast: 50/60 Hz 120 Volt input, high power factor, thermally protected electronic metal halide ballast available in 39W. Minimum lamp starting temperature: -30°C. Minimum ballast temperature: -15°C.

Finish: TGIC thermo set polyester powder coat paint available in 14 standard colors. On aluminum model, finish is applied over a corrosion resistant chromate conversion coating. Aluminum model available in one additional metal finish: Clear Anodized. Bronze model available in three additional metal finishes: Natural, Polished, and Aged (Cast finish bronze not available in Polished finish).

Certification: CSA tested & certified to US and Canadian safety standards for wet location wall mount use per UL1598 & CSA C22.2 No. 250-00.



Ordering Information:

Fixture Catalog String ^{1,2}	Model ⁶	Finish	Mount Hole	Ballast Type ³	Wattage ³	Voltage
	BM6A - Aluminum	BL - Black	S0 - Single Threaded Mount Hole	M-MH - Magnetic Metal Halide Ballast	39 - 39 Watts	120 - 120 Volts ⁴
	BM6B - Bronze (Machined Finish)	BLT - Textured Black	S1 - Single Non-Threaded Mount	E-MH - Electronic Metal Halide Ballast		MT - 120/208/240/277 Volt Multi-Tap ⁵
	BM6C - Bronze (Cast Finish)	BN - Bronze				
		BNT - Textured Bronze				
		BAT - Textured Bark				
		WI - White				
		GRT - Textured Green				
		SI - Silver				
		GY - Grey				
		BE - Beige				
		GNT - Textured Granite				
		SAT - Textured Sand				
		PAT - Textured Patina				
		EAT - Textured Earth				
		CLA - Clear Anodized (BM6A only)				
		NAT - Natural (BM6B & BM6C only)				
		POL - Polished (BM6B only)				
		AGE - Aged (BM6B & BM6C only)				

Notes:

- Ballast must be specified with an approved Vision3 Lighting metal halide fixture.
- See fixture submittal for specifications, limitations, and correct catalog number logic.
- Ballast type and wattage must match fixture lamp type and wattage.
- 120 Volt option only available with 'E-MH' ballast type.
- Multi-Tap (120/208/240/277 Volt) voltage option only available with 'M-MH' ballast type.
- For a better looking installation, match the model to the fixture it is being used with. Use BM6A with cast or machined aluminum fixtures. Use BM6B with machined finish brass/bronze fixtures. Use BM6C with cast finish bronze fixtures.
- Specifications, certifications, and ordering information are subject to change. Please check website for latest specification sheets.

Example: Fixture Catalog String - **BM6A - BNT - S0 - M-MH - 39 - 120**