



MR16 Ring Mount **MODEL DL3**

12 Volt, 50 Watt Max., MR16 Halogen

Specifications:

Body: Machined 6061-T6 aluminum or C36000 brass body with cast brass loop allows fixture to be hung from a chain, cable, or hook. (Hanging hardware not included). A molded high temperature silicone wire pass-thru prevents water from entering thru rear of body or around socket leads.

Cap: Machined 6061-T6 aluminum or C36000 brass cap threads on to body to allow tool-less removal of cap, and is sealed to the body with a high temperature silicone O-ring. Accepts up to two internal accessories, held in place by a stainless steel clip.

Finish: TGIC thermo set polyester powder coat paint available in 14 standard colors. On aluminum model, finish is applied over a corrosion resistant chromate conversion coating. Aluminum model available in one additional metal finish: Clear Anodized. Brass model available in three additional metal finishes: Natural, Polished, and Aged.

Socket: GY-6.35 porcelain socket with 600V, 250°C, PTFE coated 18 ga leads

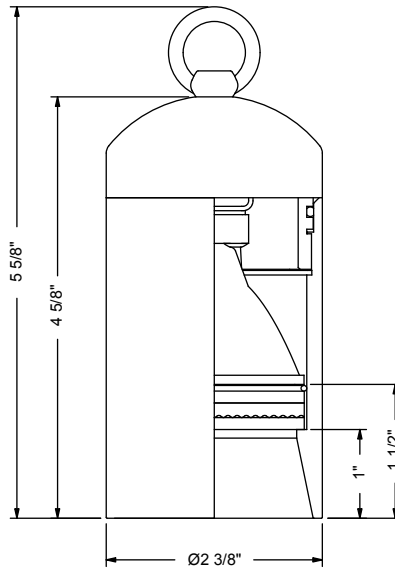
Lamp: 12 Volt Bi-pin MR16 halogen up to 50 watts (Maximum allowable wattage depends on model and application. See **Certification** heading).

Lens: Tempered, clear lens, secured to cap with a high temperature, UV curing, silicone adhesive.

Certification: CSA tested & certified to US and Canadian safety standards for wet location use per UL 1598 with the following ratings:

DL3A - 50W Max. MR16 Halogen lamp.

DL3B - 35W Max. MR16 Halogen lamp.



Ordering Information:

Model	Finish	C2 Cap Style	Lamp ^{1,2}	Lens Accy ²	Filter ²	Louver
DL3A - Aluminum	BL - Black	C2 - Regress Lens	0 - None	0 - None	0 - None	0 - None
DL3B - Brass	BLT - Textured Black		MR16 Halogen:	L1 - Spread Lens	F1 - Red	H1 - Honeycomb Louver
	BN - Bronze		01 - ESX, 20W, 12° Narrow Spot	L2 - Linear Lens	F2 - Blue	
	BNT - Textured Bronze		02 - BAB, 20W, 40° Flood	L3 - Softening Lens	F3 - Light Blue	
	BAT - Textured Bark		03 - FRB, 35W, 12° Narrow Spot		F4 - Green	
	WI - White		04 - FRA, 35W, 23° Narrow Flood		F5 - Amber	
	GRT - Textured Green		05 - FMW, 35W, 40° Flood		F6 - Pink	
	SI - Silver		06 - EYR, 42W, 12° Narrow Spot		F7 - Mercury Vapor	
	GY - Grey		07 - EYS, 42W, 25° Narrow Flood			
	BE - Beige		08 - EYP, 42W, 40° Flood			
	GNT - Textured Granite		09 - EXT, 50W, 13° Narrow Spot			
	SAT - Textured Sand		10 - EXZ, 50W, 26° Narrow Flood			
	PAT - Textured Patina		11 - EXN, 50W, 40° Flood			
	EAT - Textured Earth		12 - FNV, 50W, 60° Wide Flood			
	CLA - Clear Anodized (DL3A only)					
	NAT - Natural (DL3B only)					
	POL - Polished (DL3B only)					
	AGE - Aged (DL3B only)					

Notes:

1. Allowable wattage depends on model and application. See **Certification** heading above.
2. LED lamps available separately. Contact your Vision3 lighting CSR. ('Lens Accy' & 'Filter' options should not be used with LED lamps.)
3. Specifications, certifications, and ordering information are subject to change. Please check website for latest specification sheets.

Example: **DL3B - POL - C2 - 01 - 0 - F2 - H1**