



Rear Mount MR11 Flood **MODEL FL2**
12 Volt, 20 Watt Max., MR11 Halogen

Specifications:

Body: Machined 6061-T6 aluminum, C36000 brass, or 304 stainless steel body with 18-8 stainless steel hardware.

Knuckle: Machined 6061-T6 aluminum, C36000 brass, or 304 stainless steel mounting knuckle with a 1/2" NPS threaded male fitting allows a full range of mounting positions. Double taper design (U.S. Patent #6,966,679) allows fixture to hold position during aiming and ensures a solid lock when tightened. Integral high temperature silicone O-ring prevents leaking between housing and knuckle. Available Rotate and Lock option (U.S. Patent #7,108,405) allows for full 360° horizontal aiming and locking. See Model MO7 - Rotate and Lock submittal for specifications.

Cap: Machined 6061-T6 aluminum, C36000 brass, or 304 stainless steel caps come in four styles, lock in place with one 18-8 stainless steel set screw, and are sealed to the body with a high temperature silicone O-ring. Regressed caps have drain holes for water drainage from top of lens if mounted in the up position. All caps accept up to three internal accessories, held in place by a stainless steel clip.

Finish: TGIC thermo set polyester powder coat paint available in 14 standard colors. On aluminum model, finish is applied over a corrosion resistant chromate conversion coating. Aluminum model available in one additional metal finish: Clear Anodized. Brass model available in three additional metal finishes:

Natural, Polished, and Aged. Stainless steel model available in three additional metal finishes: Natural, Polished, and Brushed.

Socket: Double contact bayonet socket with 600V, 250° C, PTFE coated 18 ga leads.

Lamp: Double contact bayonet base MR11 up to 20 watts.

Lens: 1/8" thick, tempered, clear lens, secured to cap with a high temperature, UV curing, silicone adhesive.

Certification: CSA tested & certified to US and Canadian safety standards for the following applications:

Wet location landscape use (UL1838):

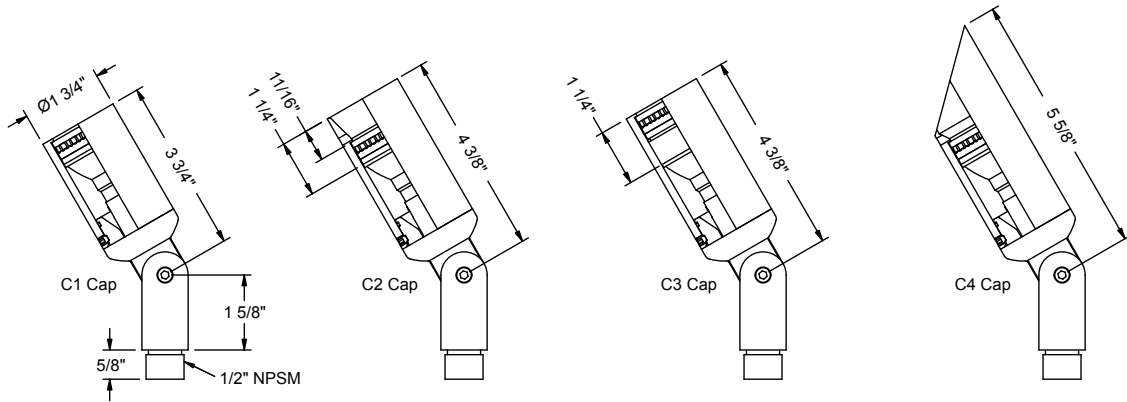
20W Max. MR11 Halogen lamp.

Wet location wall mount use (UL1598):

20W Max. MR11 Halogen lamp.

Wet location ceiling mount use (UL1598):

20W Max. MR11 Halogen lamp.



Ordering Information:

Model	Finish	Cap Style	Knuckle	Lamp	Lens Accy	Filter	Louver
FL2A - Aluminum	BL - Black	C1 - Flush	K1 - Standard ¹	0 - None	0 - None	0 - None	0 - None
FL2B - Brass	BLT - Textured Black	C2 - Regress Lens	K2 - Rotate & Lock ¹	MR11 Halogen:	L1 - Spread Lens	F1 - Red	H1 - Honeycomb Louver
FL2S - Stainless	BN - Bronze	C3 - Regress Lamp		16 - 12W, 8° Narrow Spot	L2 - Linear Lens	F2 - Blue	
	BNT - Textured Bronze	C4 - 45° Angled		17 - FSS, 20W, 8° Narrow Spot	L3 - Softening Lens	F3 - Light Blue	
	BAT - Textured Bark			18 - FST, 20W, 19° Spot		F4 - Green	
	WI - White			19 - FSV, 20W, 28° Narrow Flood		F5 - Amber	
	GRT - Textured Green					F6 - Pink	
	SI - Silver						
	GY - Grey						
	BE - Beige						
	GNT - Textured Granite						
	SAT - Textured Sand						
	PAT - Textured Patina						
	EAT - Textured Earth						
	CLA - Clear Anodized (FL2A only)						
	NAT - Natural (FL2B & FL2S only)						
	POL - Polished (FL2B & FL2S only)						
	AGE - Aged (FL2B only)						
	BRU - Brushed (FL2S only)						

Notes:
 1. K1 knuckle is protected under U.S. Patent #6,966,679. K2 Knuckle is further protected under U.S. Patent #7,108,405.
 2. Specifications, certifications, and ordering information are subject to change. Please check website for latest specification sheets.

Example: **FL2A - WI - C3 - K1 - 18 - L1 - F5 - 0**