



Rear Mount PAR20 Metal Halide Flood **MODEL FL6**

39 Watt Max., PAR20 Metal Halide

Specifications:

Body: Machined 6061-T6 aluminum or C36000 brass body with 18-8 stainless steel hardware.

Knuckle: Machined 6061-T6 aluminum or C36000 brass mounting knuckle with a 1/2" NPS threaded male fitting allows a full range of mounting positions. Double taper design (U.S. Patent #6,966,679) allows fixture to hold position during aiming and ensures a solid lock when tightened. Integral high temperature silicone o-ring prevents leaking between housing and knuckle. Rotate and Lock design (U.S. Patent #7,108,405) allows for full 360° horizontal aiming and locking. See Model MO7 - Rotate and Lock submittal for specifications.

Cap: Machined 6061-T6 aluminum or C36000 brass caps come in four styles, lock in place with one 18-8 stainless steel set screw, and are sealed to the body with a high temperature silicone O-ring. Regressed caps have drain holes for water drainage from top of lens if mounted in the up position. All caps accept up to three internal accessories, held in place by a stainless steel clip.

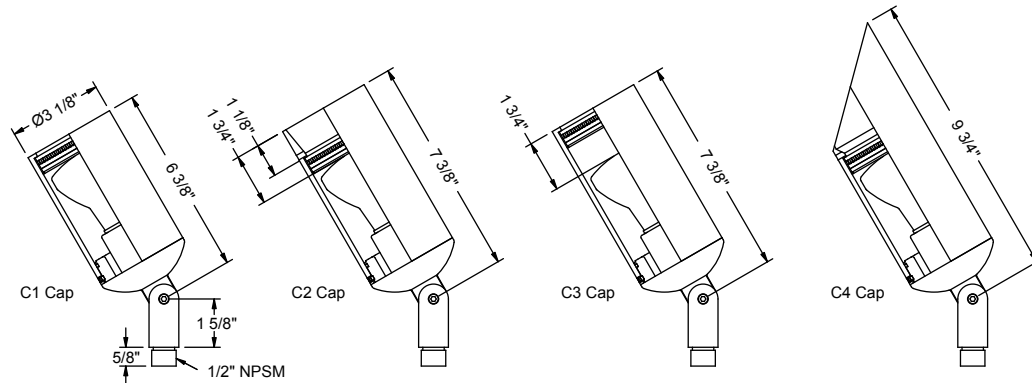
Finish: TGIC thermo set polyester powder coat paint available in 14 standard colors. On aluminum model, finish is applied over a corrosion resistant chromate conversion coating. Aluminum model available in one additional metal finish: Clear Anodized. Brass model available in three additional metal finishes: Natural, Polished, and Aged.

Socket: Medium Base Porcelain Lamp holder with copper alloy, nickel-plated screw shell and center contact, and 600V, 250° C, PTFE coated 18 ga leads.

Lamp: Medium base PAR20 Metal Halide up to 39 watts (ballast required).

Lens: 1/8" thick, tempered, clear lens, secured to cap with a high temperature, UV curing, silicone adhesive.

Certification: CSA tested & certified to US and Canadian safety standards per UL1598 for wet location use in: landscape, wall mount, and ceiling mount applications.



Ordering Information:

Model	Finish	Cap Style	K2 Knuckle	Lamp	Lens Accy	Filter	Louver	Ballast Catalog String
FL6A - Aluminum	BL - Black	C1 - Flush	K2 - Rotate & Lock ¹	0 - None	0 - None	0 - None	0 - None	Fixture must be specified with one of the following ballasts:
FL6B - Brass	BLT - Textured Black BN - Bronze BNT - Textured Bronze BAT - Textured Bark WI - White GRT - Textured Green SI - Silver GY - Grey BE - Beige GNT - Textured Granite SAT - Textured Sand PAT - Textured Patina EAT - Textured Earth CLA - Clear Anodized (FL6A only) NAT - Natural (FL6B only) POL - Polished (FL6B only) AGE - Aged (FL6B only)	C2 - Regress Lens C3 - Regress Lamp C4 - 45° Angled		PAR20 Metal Halide: 32 - 39W, PAR20MH,10° Spot 33 - 39W, PAR20MH,30° Flood	L1 - Spread Lens L2 - Linear Lens L3 - Softening Lens	F1 - Red F2 - Blue F3 - Light Blue F4 - Green F5 - Amber F6 - Pink	H1 - Honeycomb Louver	

Notes:
 1. K2 knuckle is protected under U.S. Patents #6,966,679 and #7,108,405.
 2. Specifications, certifications, and ordering information are subject to change. Please check website for latest specification sheets.

(See ballast submittal for specifications, limitations, and correct catalog number logic. Ballast type and wattage must match lamp type and wattage.)

Example: **FL6B - BN - C3 - K2 - 32 - L1 - F2 - H1 - Ballast Catalog String**