

Specifications:

Body: Machined 6061-T6 aluminum or C36000 brass body with 18-8 stainless steel knuckle hardware. Machined 6061-T6 aluminum or C36000 brass side mount knuckle is pressed into body and sealed with a high temperature silicone O-ring.

Knuckle: Machined 6061-T6 aluminum, C36000 brass, or 304 stainless steel mounting knuckle with a 1/2" NPS threaded male fitting allows a full range of mounting positions. Double taper design (U.S. Patent #6,966,679) allows fixture to hold position during aiming and ensures a solid lock when tightened. Integral high temperature silicone O-ring prevents leaking between housing and knuckle. Available Rotate and Lock option (U.S. Patent #7,108,405) allows for full 360° horizontal aiming and locking. See Model MO7 - Rotate and Lock submittal for specifications.

Cap: Machined 6061-T6 aluminum, C36000 brass, or 304 stainless steel caps come in four styles, lock in place with one 18-8 stainless steel set screw, and are sealed to the body with a high temperature silicone O-ring. Regressed caps have drain holes for water drainage from top of lens if mounted in the up position. 'Flush Lens' cap styles incorporate a stepped lens to reduce the collection of water and debris on the lens. All caps accept up to three internal accessories, held in place by a stainless steel clip.

Finish: TGIC thermo set polyester powder coat paint available in 14 standard colors. On aluminum model, finish is applied over a corrosion resistant chromate conversion coating. Aluminum model available in one additional metal finish: Clear Anodized. Brass model available in three additional metal finishes:

Natural, Polished, and Aged. Stainless steel model available in three additional metal finishes: Natural, Polished, and Brushed.

Socket: GY-6.35 porcelain socket with 600V, 250°C, PTFE coated 18 ga leads.

Lamp: 12 Volt Bi-pin MR16 halogen up to 50 watts (Maximum allowable wattage depends on model and application. See **Certification** heading).

Lens: Tempered, clear lens, secured to cap with a high temperature, UV curing, silicone adhesive. Stepped lens is used in 'Flush Lens' cap style options to reduce the collection of water and debris on the lens.

Certification: CSA tested & certified to US and Canadian safety standards for the following applications:

Wet location landscape use (UL1838):

FL11A - 50W Max. MR16 Halogen lamp.

FL11B - 35W Max. MR16 Halogen lamp.

Wet location wall mount use (UL1598):

FL11A - 50W Max. MR16 Halogen lamp.

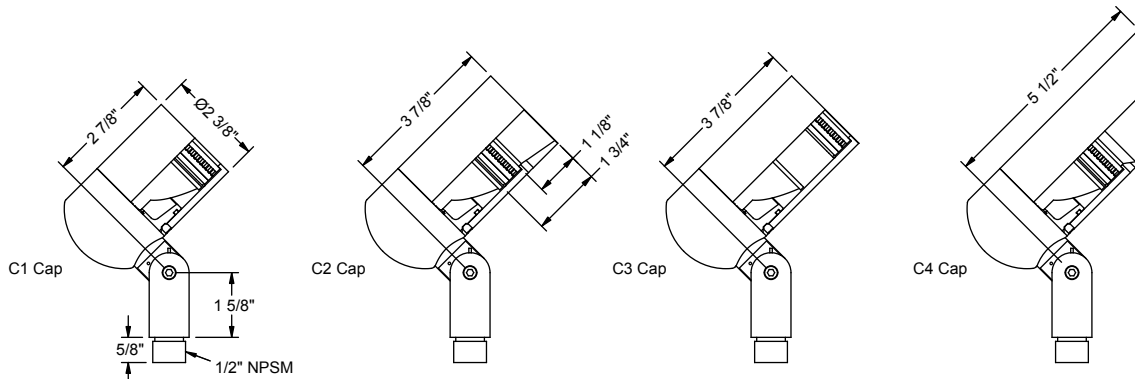
FL11B - 20W Max. MR16 Halogen lamp.

Wet location ceiling mount use (UL1598):

FL11A (remote transformer) - 42W Max. MR16 Halogen lamp.

FL11A (transformer in junction box) - 20W Max. MR16 Halogen lamp.

FL11B - 20W Max. MR16 Halogen lamp.



Ordering Information:

Model	Finish	Cap Style	Knuckle	Lamp ^{1,3}	Lens Accy ³	Filter ³	Louver
FL11A - Aluminum	BL - Black	Standard Lens:	K1 - Standard ²	0 - None	0 - None	0 - None	0 - None
FL11B - Brass	BLT - Textured Black	C1 - Flush	K2 - Rotate & Lock ²	MR16 Halogen:	L1 - Spread Lens	F1 - Red	H1 - Honeycomb Louver
	BN - Bronze	C2 - Regress Lens		01 - ESX, 20W, 12° Narrow Spot	L2 - Linear Lens	F2 - Blue	
	BNT - Textured Bronze	C3 - Regress Lamp		02 - BAB, 20W, 40° Flood	L3 - Softening Lens	F3 - Light Blue	
	BAT - Textured Bark	C4 - 45° Angled		03 - FRB, 35W, 12° Narrow Spot		F4 - Green	
	WI - White	Flush Lens:		04 - FRA, 35W, 23° Narrow Flood		F5 - Amber	
	GRT - Textured Green	C1F - Flush		05 - FMW, 35W, 40° Flood		F6 - Pink	
	SI - Silver	C2F - Regress Lens		06 - EYR, 42W, 12° Narrow Spot		F7 - Mercury Vapor	
	GY - Grey	C3F - Regress Lamp		07 - EYS, 42W, 25° Narrow Flood			
	BE - Beige	C4F - 45° Angled		08 - EYP, 42W, 40° Flood			
	GNT - Textured Granite			09 - EXT, 50W, 13° Narrow Spot			
	SAT - Textured Sand			10 - EXZ, 50W, 26° Narrow Flood			
	PAT - Textured Patina			11 - EXN, 50W, 40° Flood			
	EAT - Textured Earth			12 - FNV, 50W, 60° Wide Flood			
	CLA - Clear Anodized (FL11A only)						
	NAT - Natural (FL11B only)						
	POL - Polished (FL11B only)						
	AGE - Aged (FL11B only)						

Notes:

- Allowable wattage depends on model and application. See **Certification** heading above.
- K1 knuckle is protected under U.S. Patent #6,966,679. K2 knuckle is further protected under U.S. Patent #7,108,405.
- LED lamps available separately. Contact your Vision3 lighting CSR. ('Lens Accy' & 'Filter' options should not be used with LED lamps.)
- Specifications, certifications, and ordering information are subject to change. Please check website for latest specification sheets.

Example: **FL11B - AGE - C2F - K2 - 02 - 0 - F2 - H1**