



Side Mount PAR16/PAR20 Flood **MODEL FL12**

120 Volt, 75 Watt Max., PAR16/PAR20 Halogen

Specifications:

Body: Machined 6061-T6 aluminum or C36000 brass body with 18-8 stainless steel hardware. Machined 6061-T6 aluminum or C36000 brass side mount knuckle is pressed into body and sealed with a high temperature silicone O-ring.

Knuckle: Machined 6061-T6 aluminum or C36000 brass mounting knuckle with a 1/2" NPS threaded male fitting allows a full range of mounting positions. Double taper design (U.S. Patent #6,966,679) allows fixture to hold position during aiming and ensures a solid lock when tightened. Integral high temperature silicone O-ring prevents leaking between housing and knuckle. Available Rotate and Lock option (U.S. Patent #7,108,405) allows for full 360° horizontal aiming and locking. See Model MO7 - Rotate and Lock submittal for specifications.

Cap: Machined 6061-T6 aluminum or C36000 brass caps come in four styles, lock in place with one 18-8 stainless steel set screw, and are sealed to the body with a high temperature silicone O-ring. Regressed caps have drain holes for water drainage from top of lens if mounted in the up position. All caps accept up to three internal accessories, held in place by a stainless steel clip.

Finish: TGIC thermo set polyester powder coat paint available in 14 standard colors. On aluminum model, finish is applied over a corrosion resistant chromate conversion coating. Aluminum model available in one additional metal finish: Clear Anodized. Brass model available in three additional metal finishes: Natural, Polished, and Aged.

Socket: Medium Base Porcelain Lamp holder with copper alloy, nickel-plated screw shell and center contact, and 600V, 250° C, PTFE coated 18 ga leads.

Lamp: 120 Volt medium base PAR16 halogen up to 75 Watts, or 120 Volt medium base PAR20 halogen up to 50 Watts (Maximum allowable wattage depends on model and application. See **Certification** heading).

Lens: 1/8" thick, tempered, clear lens, secured to cap with a high temperature, UV curing, silicone adhesive.

Certification: CSA tested & certified to US and Canadian safety standards for the following applications:

Wet location landscape use (UL1598):

FL12 - 75W Max. PAR16/PAR20 Halogen lamp.

Wet location wall mount use (UL1598):

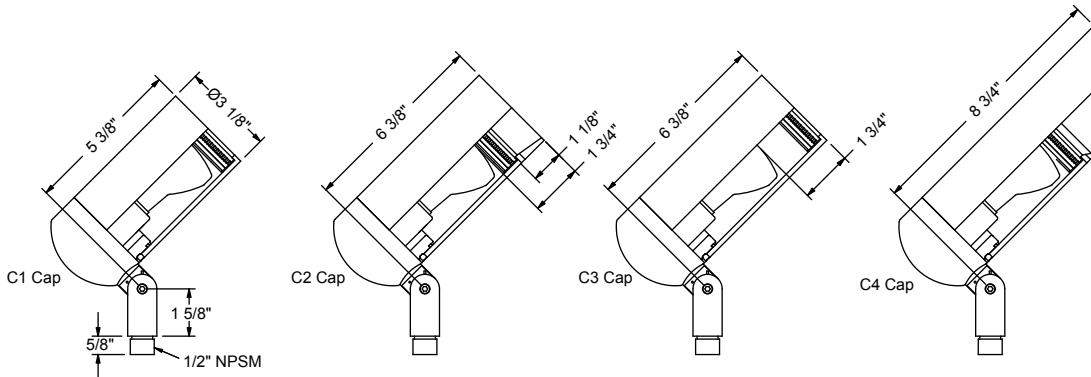
FL12A - 75W Max. PAR16/PAR20 Halogen lamp.

FL12B - 50W Max. PAR16/PAR20 Halogen lamp.

Wet location ceiling mount use (UL1598):

FL12A - 75W Max. PAR16/PAR20 Halogen lamp.

FL12B - 50W Max. PAR16/PAR20 Halogen lamp.



Ordering Information:

Model	Finish	Cap Style	Knuckle	Lamp ^{1,3}	Lens Accy ³	Filter ³	Louver ³
FL12A - Aluminum	BL - Black	C1 - Flush	K1 - Standard ²	0 - None	0 - None	0 - None	0 - None
FL12B - Brass	BLT - Textured Black	C2 - Regress Lens	K2 - Rotate & Lock ²	PAR16 Halogen:	PAR20 Halogen:	F1 - Red	H1 - Honeycomb Louver
	BN - Bronze	C3 - Regress Lamp		26 - 45W, 10° Narrow Spot	23 - 50W, 9° Narrow Spot	F2 - Blue	
	BNT - Textured Bronze	C4 - 45° Angled		27 - 45W, 27° Narrow Flood	24 - 50W, 16° Spot	F3 - Light Blue	
	BAT - Textured Bark			28 - 60W, 10° Narrow Spot	25 - 50W, 30° Narrow Flood	F4 - Green	
	WI - White			29 - 60W, 27° Narrow Flood		F5 - Amber	
	GRT - Textured Green			30 - 75W, 10° Narrow Spot		F6 - Pink	
	SI - Silver			31 - 75W, 30° Narrow Flood			
	GY - Grey						
	BE - Beige						
	GNT - Textured Granite						
	SAT - Textured Sand						
	PAT - Textured Patina						
	EAT - Textured Earth						
	CLA - Clear Anodized (FL12A only)						
	NAT - Natural (FL12B only)						
	POL - Polished (FL12B only)						
	AGE - Aged (FL12B only)						

Notes:

- Allowable wattage depends on model and application. See **Certification** heading above.
- K1 knuckle is protected under U.S. Patent #6,966,679. K2 knuckle is further protected under U.S. Patent #7,108,405.
- LED & CFL lamps available separately. Contact your Vision3 lighting CSR. ('Lens Accy' & 'Filter' options should not be used with LED lamps. 'Lens Accy', 'Filter', & 'Louver' options not available with CFL lamps unless a 'C3' cap is specified.)
- Specifications, certifications, and ordering information are subject to change. Please check website for latest specification sheets.

Example: FL12A - GRT - C2 - K1 - 23 - L2 - 0 - 0