



# Side Mount MR16 Flood **MODEL FL13**

12 Volt, 75 Watt Max., MR16 Halogen

## Specifications:

**Body:** Machined 6061-T6 aluminum or C36000 brass body with 18-8 stainless steel hardware. Machined 6061-T6 aluminum or C36000 brass side mount knuckle is pressed into body and sealed with a high temperature silicone O-ring.

**Knuckle:** Machined 6061-T6 aluminum or C36000 brass mounting knuckle with a 1/2" NPS threaded male fitting allows a full range of mounting positions. Double taper design (U.S. Patent #6,966,679) allows fixture to hold position during aiming and ensures a solid lock when tightened. Integral high temperature silicone O-ring prevents leaking between housing and knuckle. Available Rotate and Lock option (U.S. Patent #7,108,405) allows for full 360° horizontal aiming and locking. See Model MO7 - Rotate and Lock submittal for specifications.

**Cap:** Machined 6061-T6 aluminum or C36000 brass caps come in four styles, lock in place with one 18-8 stainless steel set screw, and are sealed to the body with a high temperature silicone O-ring. Regressed caps have drain holes for water drainage from top of lens if mounted in the up position. All caps accept up to three internal accessories, held in place by a stainless steel clip.

**Finish:** TGIC thermo set polyester powder coat paint available in 14 standard colors. On aluminum model, finish is applied over a corrosion resistant chromate conversion coating. Aluminum model available in one additional metal finish: Clear Anodized. Brass model available in three additional metal finishes: Natural, Polished, and Aged.

**Socket:** GY-6.35 porcelain socket with 600V, 250°C, PTFE coated 18 ga leads.

**Lamp:** 12 Volt Bi-pin MR16 halogen up to 75 watts (Maximum allowable wattage depends on model and application. See **Certification** heading).

**Lens:** 1/8" thick, tempered, clear lens, secured to cap with a high temperature, UV curing, silicone adhesive.

**Certification:** CSA tested & certified to US and Canadian safety standards for the following applications:

Wet location landscape use (UL1838):

**FL13 - 75W Max. MR16 Halogen lamp.**

Wet location wall mount use (UL1598):

**FL13A (remote transformer) - 75W Max. MR16 Halogen lamp.**

**FL13A (transformer in junction box) - 50W Max. MR16 Halogen lamp.**

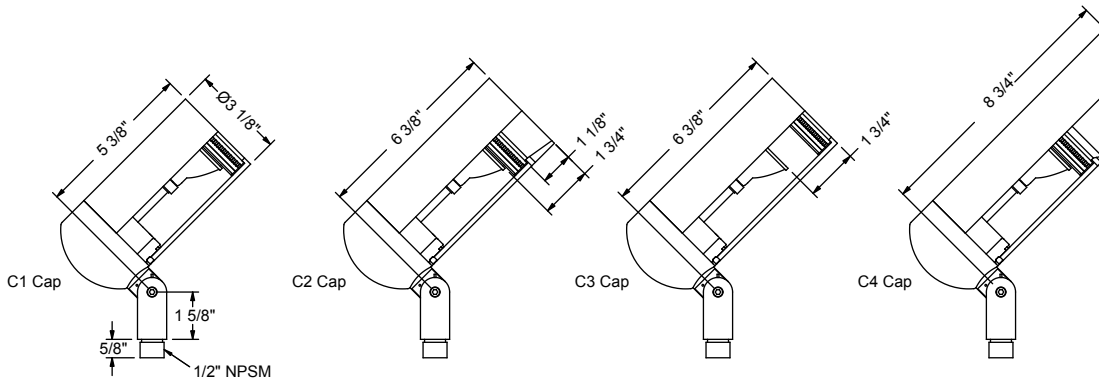
**FL13B - 50W Max. MR16 Halogen lamp.**

Wet location ceiling mount use (UL1598):

**FL13A - 50W Max. MR16 Halogen lamp.**

**FL13B (remote transformer) - 42W Max. MR16 Halogen lamp.**

**FL13B (transformer in junction box) - 37W Max. MR16 Halogen lamp.**



## Ordering Information:

Model	Finish	Cap Style	Knuckle	Lamp <sup>1,3</sup>	Lens Accy <sup>3</sup>	Filter <sup>3</sup>	Louver
FL13A - Aluminum	BL - Black	C1 - Flush	K1 - Standard <sup>2</sup>	0 - None	0 - None	0 - None	0 - None
FL13B - Brass	BLT - Textured Black	C2 - Regress Lens	K2 - Rotate & Lock <sup>2</sup>	<b>MR16 Halogen:</b>	L1 - Spread Lens	F1 - Red	H1 - Honeycomb Louver
	BN - Bronze	C3 - Regress Lamp		01 - ESX, 20W, 12° Narrow Spot	L2 - Linear Lens	F2 - Blue	
	BNT - Textured Bronze	C4 - 45° Angled		02 - BAB, 20W, 40° Flood	L3 - Softening Lens	F3 - Light Blue	
	BAT - Textured Bark			03 - FRB, 35W, 12° Narrow Spot		F4 - Green	
	WI - White			04 - FRA, 35W, 23° Narrow Flood		F5 - Amber	
	GRT - Textured Green			05 - FMW, 35W, 40° Flood		F6 - Pink	
	SI - Silver			06 - EYR, 42W, 12° Narrow Spot			
	GY - Grey			07 - EYS, 42W, 25° Narrow Flood			
	BE - Beige			08 - EYP, 42W, 40° Flood			
	GNT - Textured Granite			09 - EXT, 50W, 13° Narrow Spot			
	SAT - Textured Sand			10 - EXZ, 50W, 26° Narrow Flood			
	PAT - Textured Patina			11 - EXN, 50W, 40° Flood			
	EAT - Textured Earth			12 - FNV, 50W, 60° Wide Flood			
	CLA - Clear Anodized (FL13A only)			13 - EYF, 75W, 13° Narrow Spot			
	NAT - Natural (FL13B only)			14 - EYJ, 75W, 26° Narrow Flood			
	POL - Polished (FL13B only)			15 - EYC, 75W, 44° Flood			
	AGE - Aged (FL13B only)						

**Notes:**

- Allowable wattage depends on model and application. See **Certification** heading above.
- K1 knuckle is protected under U.S. Patent #6,966,679. K2 knuckle is further protected under U.S. Patent #7,108,405.
- LED lamps available separately. Contact your Vision3 lighting CSR. (Lens Accy<sup>3</sup> & Filter<sup>3</sup> options should not be used with LED lamps.)
- Specifications, certifications, and ordering information are subject to change. Please check website for latest specification sheets.

**Example: FL13B - POL - C1 - K1 - 0 - L1 - 0 - 0**