

### Specifications:

**Body:** Machined 6061-T6 aluminum or C36000 brass body with 18-8 stainless steel hardware. Machined 6061-T6 aluminum or C36000 brass side mount knuckle is pressed into body and sealed with a high temperature silicone O-ring.

**Knuckle:** Machined 6061-T6 aluminum or C36000 brass mounting knuckle with a 1/2" NPS threaded male fitting allows a full range of mounting positions. Double taper design (U.S. Patent #6,966,679) allows fixture to hold position during aiming and ensures a solid lock when tightened. Integral high temperature silicone O-ring prevents leaking between housing and knuckle. Available Rotate and Lock option (U.S. Patent #7,108,405) allows for full 360° horizontal aiming and locking. See Model MO7 - Rotate and Lock submittal for specifications.

**Cap:** Machined 6061-T6 aluminum or C36000 brass caps come in three styles, lock in place with one 18-8 stainless steel set screw, and are sealed to the body with a high temperature silicone O-ring. Regressed caps have drain holes for water drainage from top of lens if mounted in the up position. All caps accept up to three internal accessories, held in place by a stainless steel clip.

**Electrical:** Includes an integral 75VA, 12V output, magnetic transformer with 120V or 277V, 60Hz input.

**Finish:** TGIC thermo set polyester powder coat paint available in 14 standard colors. On aluminum model, finish is applied over a corrosion resistant chromate conversion coating. Aluminum model available in one additional metal finish:

Clear Anodized. Brass model available in three additional metal finishes: Natural, Polished, and Aged.

**Socket:** GY-6.35 porcelain socket with 600V, 250°C, PTFE coated 18 ga leads.

**Lamp:** 12 Volt Bi-pin MR16 halogen up to 75 watts (Maximum allowable wattage depends on model and application. See **Certification** heading).

**Lens:** 1/8" thick, tempered, clear lens, secured to cap with a high temperature, UV curing, silicone adhesive.

**Certification:** CSA tested & certified to US and Canadian safety standards for the following applications:

Wet location landscape use (UL1838):

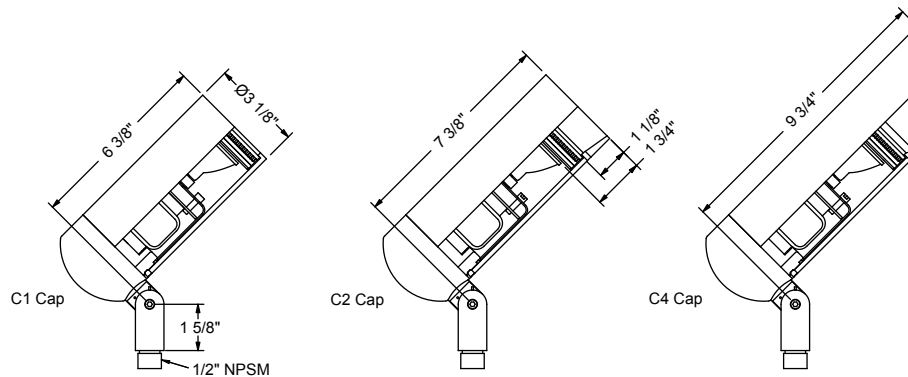
**FL14A - 75W Max. MR16 Halogen lamp.**

**FL14B - 50W Max. MR16 Halogen lamp.**

Wet location wall mount use (UL1598):

**FL14A - 75W Max. MR16 Halogen lamp.**

**FL14B - 50W Max. MR16 Halogen lamp.**



### Ordering Information:

Model	Finish	Cap Style	Knuckle	Transformer Input Voltage	Lamp <sup>1,3</sup>	Lens Accy <sup>3</sup>	Filter <sup>3</sup>	Louver
FL14A - Aluminum	BL - Black	C1 - Flush	K1 - Standard <sup>2</sup>	120 - 120 Volt Input 277 - 277 Volt Input	0 - None	0 - None	0 - None	0 - None
FL14B - Brass	BLT - Textured Black BN - Bronze BNT - Textured Bronze BAT - Textured Bark WI - White GRT - Textured Green SI - Silver GY - Grey BE - Beige GNT - Textured Granite SAT - Textured Sand PAT - Textured Patina EAT - Textured Earth CLA - Clear Anodized (FL14A only) NAT - Natural (FL14B only) POL - Polished (FL14B only) AGE - Aged (FL14B only)	C2 - Regress Lens C4 - 45° Angled	K2 - Rotate & Lock <sup>2</sup>		<b>MR16 Halogen:</b> 01 - ESX, 20W, 12° Narrow Spot 02 - BAB, 20W, 40° Flood 03 - FRB, 35W, 12° Narrow Spot 04 - FRA, 35W, 23° Narrow Flood 05 - FMW, 35W, 40° Flood 06 - EYR, 42W, 12° Narrow Spot 07 - EYS, 42W, 25° Narrow Flood 08 - EYP, 42W, 40° Flood 09 - EXT, 50W, 13° Narrow Spot 10 - EXZ, 50W, 26° Narrow Flood 11 - EXN, 50W, 40° Flood 12 - FNV, 50W, 60° Wide Flood 13 - EYF, 75W, 13° Narrow Spot 14 - EYJ, 75W, 26° Narrow Flood 15 - EYC, 75W, 44° Flood	L1 - Spread Lens L2 - Linear Lens L3 - Softening Lens	F1 - Red F2 - Blue F3 - Light Blue F4 - Green F5 - Amber F6 - Pink	H1 - Honeycomb Louver

#### Notes:

- Allowable wattage depends on model and application. See **Certification** heading above.
- K1 knuckle is protected under U.S. Patent #6,966,679. K2 knuckle is further protected under U.S. Patent #7,108,405.
- LED lamps available separately. Contact your Vision3 lighting CSR. ('Lens Accy' & 'Filter' options should not be used with LED lamps.)
- Specifications, certifications, and ordering information are subject to change. Please check website for latest specification sheets.

Example: **FL14A - BN - C2 - K2 - 277 - 06 - 0 - 0 - H1**