



MR16 Up Light MODEL FL16
12 Volt, 42 Watt Max., MR16 Halogen

Specifications:

Body: Machined 6061-T6 aluminum or C36000 brass body with industry standard 1/2"-14 NPSM external threads for mounting.

Cap: Machined 6061-T6 aluminum or C36000 brass caps come in four styles, lock in place with one 18-8 stainless steel set screw, and are sealed to the body with a high temperature silicone O-ring. Regressed caps have drain holes for water drainage from top of lens. 'Flush Lens' cap styles incorporate a stepped lens to reduce the collection of water and debris on the lens. All caps accept up to three internal accessories, held in place by a stainless steel clip.

Finish: TGIC thermo set polyester powder coat paint available in 14 standard colors. On aluminum model, finish is applied over a corrosion resistant chromate conversion coating. Aluminum model available in one additional metal finish: Clear Anodized. Brass model available in three additional metal finishes: Natural, Polished, and Aged.

Socket: GY-6.35 porcelain socket with 600V, 250°C, PTFE coated 18 ga leads.

Lamp: 12 Volt Bi-pin MR16 halogen up to 42 watts (Maximum allowable wattage depends on model and application. See **Certification** heading).

Lens: Tempered, clear lens, secured to cap with a high temperature, UV curing, silicone adhesive. Stepped lens is used in 'Flush Lens' cap style options to reduce the collection of water and debris on the lens.

Certification: CSA tested & certified to US and Canadian safety standards for the following applications:

Wet location landscape use (UL1838):

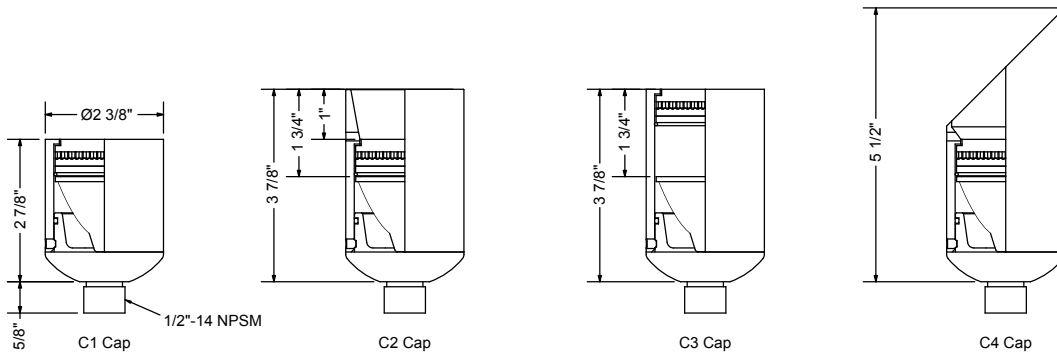
FL16A (non-plastic mount) - 37W Max. MR16 Halogen lamp.

FL16A (plastic mount w/3" stem) - 20W Max. MR16 Halogen lamp.

FL16A (plastic mount w/6" stem) - 42W Max. MR16 Halogen lamp. (3" min. stem must be used with a plastic mount)

FL16B (non-plastic mount) - 20W Max. MR16 Halogen lamp.

(FL16B can not be used on a mount with plastic components)



Ordering Information:

Model	Finish	Cap Style	Lamp ^{1,2}	Lens Accy ²	Filter ²	Louver
FL16A - Aluminum	BL - Black	Standard Lens:	0 - None	0 - None	0 - None	0 - None
FL16B - Brass	BLT - Textured Black	C1 - Flush	MR16 Halogen:	L1 - Spread Lens	F1 - Red	H1 - Honeycomb Louver
	BN - Bronze	C2 - Regress Lens	01 - ESX, 20W, 12° Narrow Spot	L2 - Linear Lens	F2 - Blue	
	BNT - Textured Bronze	C3 - Regress Lamp	02 - BAB, 20W, 40° Flood	L3 - Softening Lens	F3 - Light Blue	
	BAT - Textured Bark	C4 - 45° Angled	03 - FRB, 35W, 12° Narrow Spot		F4 - Green	
	WI - White	Flush Lens:	04 - FRA, 35W, 23° Narrow Flood		F5 - Amber	
	GRT - Textured Green	C1F - Flush	05 - FMW, 35W, 40° Flood		F6 - Pink	
	SI - Silver	C2F - Regress Lens	06 - EYR, 42W, 12° Narrow Spot		F7 - Mercury Vapor	
	GY - Grey	C3F - Regress Lamp	07 - EYS, 42W, 25° Narrow Flood			
	BE - Beige	C4F - 45° Angled	08 - EYP, 42W, 40° Flood			
	GNT - Textured Granite					
	SAT - Textured Sand					
	PAT - Textured Patina					
	EAT - Textured Earth					
	CLA - Clear Anodized (FL16A only)					
	NAT - Natural (FL16B only)					
	POL - Polished (FL16B only)					
	AGE - Aged (FL16B only)					

Notes:

- Allowable wattage depends on model and application. See **Certification** heading above.
- LED lamps available separately. Contact your Vision3 lighting CSR. ('Lens Accy' & 'Filter' options should not be used with LED lamps.)
- Specifications, certifications, and ordering information are subject to change. Please check website for latest specification sheets.

Example: FL16A - BNT - C2 - 02 - L1 - 0 - 0