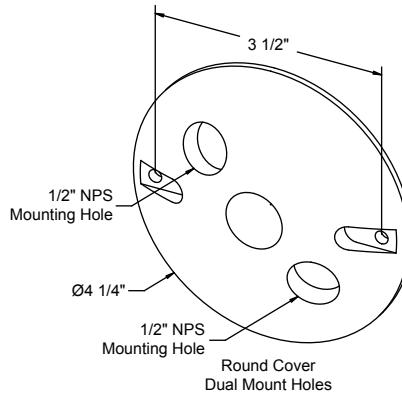
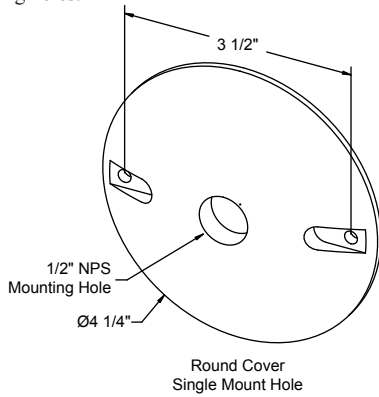


Specifications:

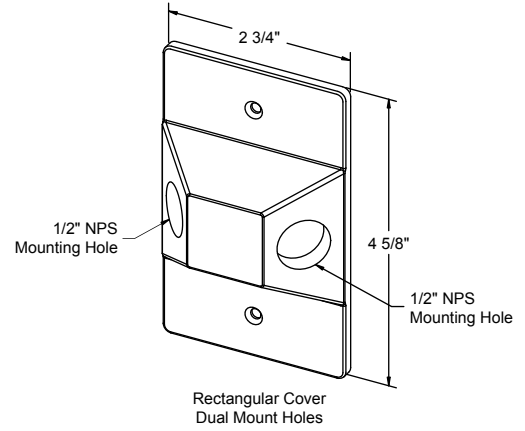
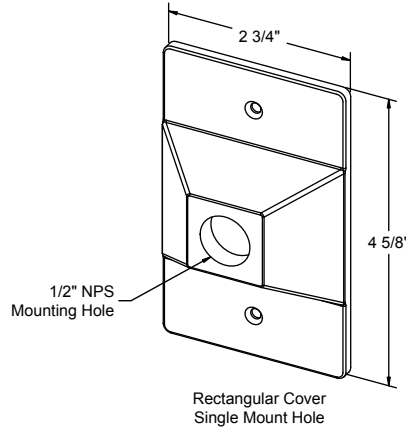
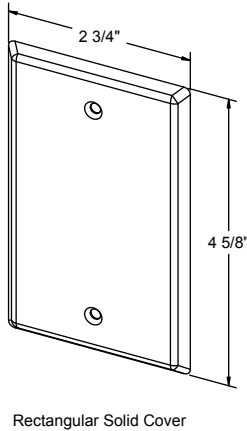
Construction: Seamless, cast aluminum junction box cover (except for rectangular solid cover, which is stamped aluminum). Available to fit industry standard rectangular single gang or round outlet boxes. Rectangular outlet box covers come with single or double 1/2" NPS threaded mounting holes, or as a solid cover. Round outlet box covers come with single or double 1/2" NPS threaded mounting holes.

Finish: Covers are coated with TGIC thermo set polyester powder coat paint; available in 14 standard colors.

Certification: UL tested & certified to US and Canadian safety standards for wet location use.



Note: Actual covers may be slightly different than shown.



Ordering Information:

Model	Finish	Style
MO6S - Rectangular	BL - Black	0 - Solid Cover (MO6S only)
MO6R - Round	BLT - Textured Black	1 - Single Mount Hole
	BN - Bronze	2 - Dual Mount Holes
	BNT - Textured Bronze	
	BAT - Textured Bark	
	WI - White	
	GRT - Textured Green	
	SI - Silver	
	GY - Grey	
	BE - Beige	
	GNT - Textured Granite	
	SAT - Textured Sand	
	PAT - Textured Patina	
	EAT - Textured Earth	

Notes:

- Specifications, certifications, and ordering information are subject to change. Please check website for latest specification sheets.

Example: **MO6R - BNT - 1**