

### Specifications:

**Canopy Base:** Canopy Base made from cast 356 aluminum or cast C84400 bronze. Bronze models available with as-cast or machined finish. Hole pattern allows for mounting to a junction box or to the wall as a surface mount box (base mounting hardware not included).

**Canopy Cover:** Thick walled cast 356 aluminum or cast C84400 bronze canopy cover prevents deflection and 'sag' of mounted fixtures. Bronze models available with as-cast or machined finish. Canopy cover available with a non-threaded mount hole for versatility, or a threaded mount hole for strength (threaded mount hole option requires the use of a fixture with the 'Rotate and Lock Knuckle'). Canopy cover mounts to the canopy base with four 18-8 stainless steel captive screws, which are retained by the cover. Captive screws prevent loss of screws, and provides for safe and easy installation. Captive screw heads are sized the same as the knuckle adjustment screws on Vision3 Lighting flood fixtures, requiring only one tool for installation and adjustment. Alignment pins orient the canopy cover with the canopy base, simplifying installation by ensuring that the cover screws are always lined up properly.

**Seals:** O-ring groove on canopy cover allows for use of an O-ring to prevent leaking between canopy cover and fixture knuckle. (All Vision3 flood fixtures come with a high temperature, black Viton O-ring on the knuckle for this purpose). High temperature foam silicone gaskets prevent leaking between the

canopy cover, canopy base, and mounting surface. (Canopy base gasket may not work properly if mounting surface is too rough).

**Electrical:** 75VA, 11.6 Volt output, electronic transformer is mounted to the canopy base with 18-8 stainless steel hardware. Available in 120V, 230V, or 277V input. Also available without transformer.

**Finish:** TGIC thermo set polyester powder coat paint available in 14 standard colors. On aluminum model, finish is applied over a corrosion resistant chromate conversion coating. Aluminum model available in one additional metal finish: Clear Anodized. Bronze model available in three additional metal finishes: Natural, Polished, and Aged (Cast finish bronze not available in Polished finish).

**Certification:** CSA tested & certified (all except 230V model) to US and Canadian safety standards for the following applications:

Wet location wall mount use (UL1598):

**MO12(A, B, or C) with integral transformer option - 50W Max.**

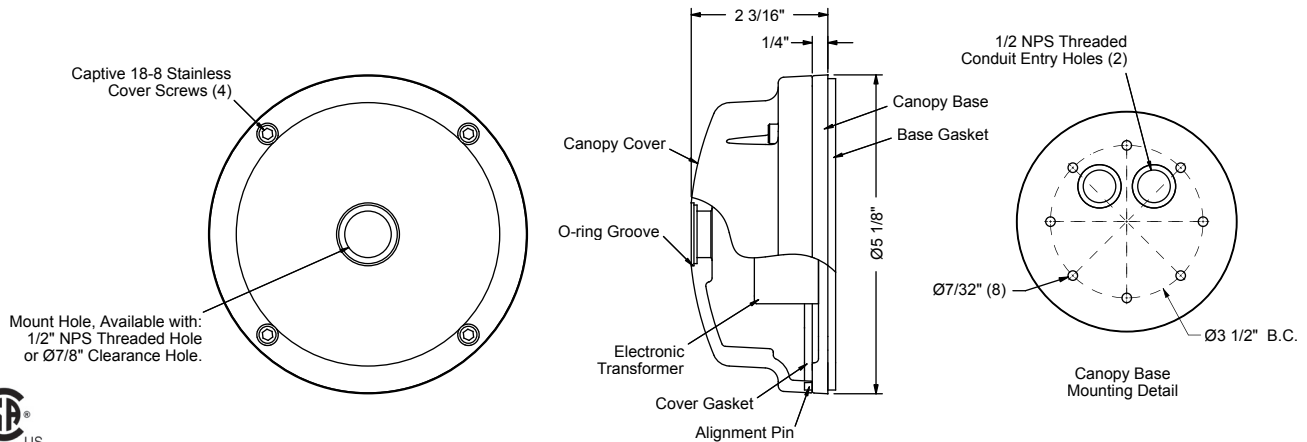
**MO12(A, B, or C) without transformer option - 75W Max.**

Wet location ceiling mount use (UL1598):

**MO12A with integral transformer option - 50W Max.**

**MO12(B or C) with integral transformer option - 42W Max.**

**MO12(A, B, or C) without transformer option - 75W Max.**



### Ordering Information:

Model <sup>1,2</sup>	Finish	Mount Hole	Transformer Input Voltage
MO12A - Aluminum	BL - Black	S0 - Threaded Mount Hole	0 - No Transformer
MO12B - Bronze (Machined Finish)	BLT - Textured Black	S1 - Non-Threaded Mount Hole	120 - 120 Volts
MO12C - Bronze (Cast Finish)	BN - Bronze		230 - 230 Volts
	BNT - Textured Bronze		277 - 277 Volts
	BAT - Textured Bark		
	WI - White		
	GRT - Textured Green		
	SI - Silver		
	GY - Grey		
	BE - Beige		
	GNT - Textured Granite		
	SAT - Textured Sand		
	PAT - Textured Patina		
	EAT - Textured Earth		
	CLA - Clear Anodized (MO12A only)		
	NAT - Natural (MO12B & MO12C only)		
	POL - Polished (MO12B only)		
	AGE - Aged (MO12B & MO12C only)		

#### Notes:

- MO12 ratings vary, depending on model and application. See **Certification** heading above.
- For a better looking installation, match the model to the fixture it is being used with. Use MO12A with cast or machined aluminum fixtures. Use MO12B with machined finish brass/bronze fixtures. Use MO12C with cast finish bronze fixtures.
- Specifications, certifications, and ordering information are subject to change. Please check website for latest specification sheets.

Example: **MO12A - BNT - S0 - 120**