



Marker Light **MODEL PA2**
12/120/230/277 Volt, 35 Watt Max., T4 Halogen

Specifications:

Construction: Manufactured from 6061-T6 aluminum, C36000 brass, or 304 stainless steel with 18-8 stainless steel hardware.

Stem: Stems machined from 6061-T6 aluminum, C36000 brass, or 304 stainless steel and are available in lengths of 3", 6", 12", 18", 24", 30", 36", 42", and 48". Also available without a stem.

Finish: TGIC thermo set polyester powder coat paint available in 14 standard colors. On aluminum model, finish is applied over a corrosion resistant chromate conversion coating. Aluminum model available in one additional metal finish: Clear Anodized. Brass model available in three additional metal finishes: Natural, Polished, and Aged. Stainless steel model available in three additional metal finishes: Natural, Polished, and Brushed.

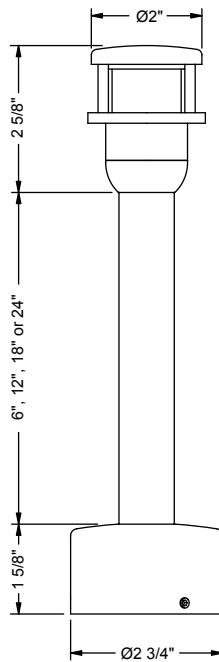
Socket: GY-6.35 porcelain socket with 600V, 250°C, PTFE coated 18 ga leads

Lamp: 12 Volt Bi-pin T4 halogen up to 35 watts.

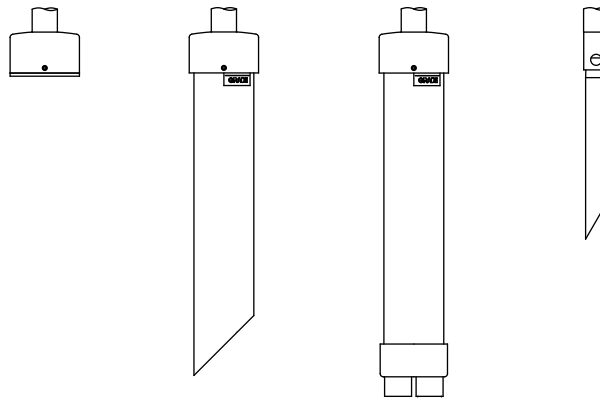
Lens: 1/8" wall, frosted, tempered borosilicate tube, secured to cap with a high temperature, UV curing silicone adhesive.

Electrical: Transformer option includes a 75VA, 11.6V output, electronic transformer in 120V, 230V, or 277V input. All other options supplied with 24" of 16-2 cable beyond stem for connection to a remote low voltage supply power.

Certification: CSA tested & certified to US and Canadian safety standards for wet location landscape use per UL1838 (all except 230V model).



SM Mount (See MO1 spec sheet) S1 & S2 Mount (See MO1 spec sheet) S3 & S4 Mount (See MO1 spec sheet) MO14 Mount (See MO14 spec sheet)



Ordering Information:

Model	Finish	Mount	Transformer Input Voltage	Stem	Lamp
PA2A - Aluminum	BL - Black	S0 - No Mount (MO1 Cap Only) ¹	0 - No Transformer	0 - No Stem	0 - None
PA2B - Brass	BLT - Textured Black	SM - MO1 Surface Mount ¹	120 - 120 Volt Input ³	3 - 3" Stem	T4 Halogen:
PA2S - Stainless	BN - Bronze	S1-12 - 12" MO1 Stake Mount (Available with up to 36" stem only) ¹	230 - 277 Volt Input ³	6 - 6" Stem	20 - 12V, 20W
	BNT - Textured Bronze	S1-18 - 18" MO1 Stake Mount (Available with up to 36" stem only) ¹	277 - 277 Volt Input ³	12 - 12" Stem	21 - 12V, 35W
	BAT - Textured Bark	S2-12 - 12" MO1 Adjustable Stake Mount (Available with 12" stem only) ¹		18 - 18" Stem	
	WI - White	S2-18 - 18" MO1 Adjustable Stake Mount (Available with 18" stem only) ¹		24 - 24" Stem	
	GRT - Textured Green	S2-24 - 24" MO1 Adjustable Stake Mount (Available with 24" to 48" stem only) ¹		30 - 30" Stem	
	SI - Silver	S3-12 - 12" MO1 Junction with Transformer (Available with up to 36" stem only) ¹		36 - 36" Stem	
	GY - Grey	S3-18 - 18" MO1 Junction with Transformer (Available with up to 36" stem only) ¹		42 - 42" Stem	
	BE - Beige	S4-12 - 12" MO1 Junction Mount (Available with up to 36" stem only) ¹		48 - 48" Stem	
	GNT - Textured Granite	S4-18 - 18" MO1 Junction Mount (Available with up to 36" stem only) ¹			
	SAT - Textured Sand	MO14 - MO14 Brass Stake Mount ²			
	PAT - Textured Patina				
	EAT - Textured Earth				
	CLA - Clear Anodized (PA2A only)				
	NAT - Natural (PA2B & PA2S only)				
	POL - Polished (PA2B & PA2S only)				
	AGE - Aged (PA2B only)				
	BRU - Brushed (PA2S only)				

Notes:
 1. See MO1 specification sheet for MO1 mount details.
 2. See MO14 specification sheet for MO14 mount details.
 3. 120, 230, and 277 transformer input voltage options only available with the S3-12 and S3-18 mount options.
 4. Specifications, certifications, and ordering information are subject to change. Please check website for latest specification sheets.

Example: PA2B - NAT - MO14 - 0 - 12 - 20