

Installation Instructions

INSTRUCTIONS PERTAINING TO A RISK OF FIRE, OR INJURY TO PERSONS. IMPORTANT SAFETY INSTRUCTIONS. SAVE THESE INSTRUCTIONS

Warning! To reduce the risk of FIRE OR INJURY TO PERSONS:

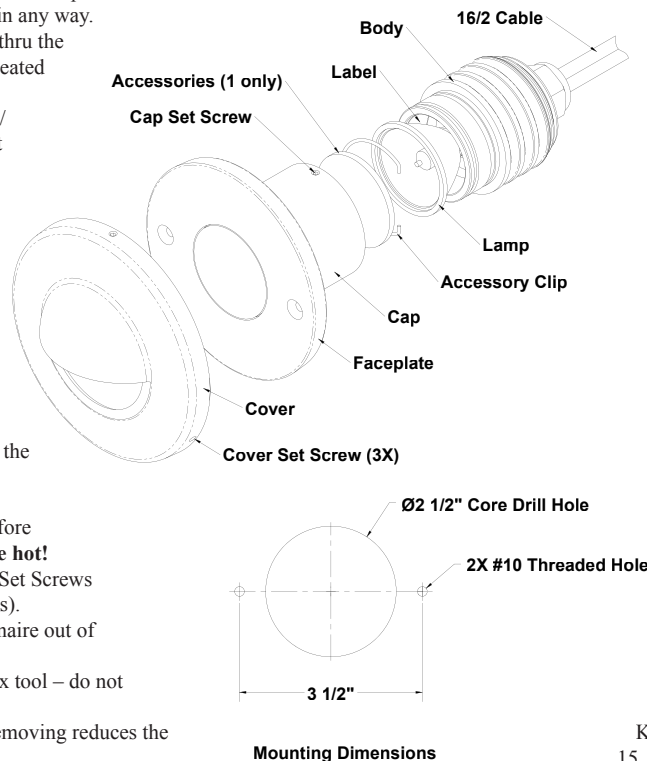
1. Do not touch luminaire while lamp is on. Turn off/unplug and allow to cool before replacing lamp.
2. Lamp gets HOT quickly! Contact only switch/plug when turning on.
3. Do not touch hot lens, body, cap, or knuckle.
4. Keep lamp away from materials that may burn.
5. Do not touch lamp at any time. Use a soft cloth. Oil from your skin may damage lamp.
6. Do not operate the luminaire with damaged or missing parts.
7. Do not disassemble luminaire beyond cap removal to facilitate lamp and/or accessory installation or replacement.
8. Remove any debris accumulated in the cap periodically.
9. Do not install luminaire within 10 feet of a pool, spa, or fountain.
10. Have fixture installed in accordance with all applicable installation codes and standards by a person familiar with the construction and operation of the fixture and the hazards involved.
11. Consult a qualified electrician to ensure correct branch circuit conductor.
12. Use only cable rated for low voltage. Cable buried more than 6" must be suitable for direct burial. Direct burial cable may be ordered from Vision3 Lighting.

Installation

1. Using the information shown for 'Mounting Dimensions', make the required holes. Note: For the #10 mount holes, use appropriate threaded inserts.
2. Connect the luminaire leads (16/2 Cable) to the power supply wires using the appropriate connectors per applicable codes. Use enough cable to allow for removal of the fixture from the core drilled hole. Note: Be sure rating on the luminaire Label matches the power being supplied by the power supply leads.
3. Install lamp and accessories as described below. Note: Check label for any limitations on Accessories or Lamp wattages.
4. Insert Body in to the core drilled hole until the Faceplate meets wall. Note: Make sure wiring is not kinked or pinched in any way.
5. Thread #10 flat head screws (not supplied) thru the faceplate holes and in to the mount holes created above to secure the Faceplate to the wall.
6. Loosen the Cover Set Screws (3X) with a 3/32" hex tool (do not remove screws) so that the Cover will slide over the Faceplate.
7. Slide the Cover over the Faceplate as far as it will go, and properly orient. Note: Eyelid should not be pointed up as it will fill with water and debris.
8. Gently tighten each Cover Set Screw against Faceplate.
9. Once the Cover Set Screws are all contacting the Faceplate, firmly tighten all three Cover Set Screws. Note: Make sure the Cover is tightened on to the Faceplate with all three Cover Set Screws; otherwise, the cover may loosen.

Lamp Maintenance

1. Remove power from fixture and let cool before touching. **Caution! Luminaire may still be hot!**
2. Remove the Cover by loosening the Cover Set Screws with a 3/32" hex tool (do not remove screws).
3. Remove the faceplate screws and pull luminaire out of the wall.
4. Loosen the Cap Set Screw using a 3/32" hex tool – do not remove screw!
5. Remove the Cap. Twisting the Cap while removing reduces the risk of damaging the O-Ring.
6. Inspect O-Ring for damage. Replace if necessary.
7. Pull lamp straight out. **Caution! Lamp may still be hot! Be sure lamp has cooled before touching.**
8. Clean inside of fixture with a clean dry cloth.
9. Inspect socket for any damage.



10. Push new lamp straight in, being careful to align pins. Note: Read the label for appropriate lamp type and ratings.
11. Install Cap on fixture by pushing and twisting slowly. If O-Ring is excessively dry, use a small amount of Krytox lubricant.
12. Tighten Cap Set Screw with the 3/32" hex tool so that is just bottoms out. Do not over tighten the Cap Set Screw! This may cause the fixture to not seal properly.
14. Install Body and Cover as described above in 'Installation'.

Accessory Maintenance

1. Remove power from fixture and let cool before touching. **Caution!**

Luminaire may still be hot!

2. Remove the Cover by loosening the Cover Set Screws with a 3/32" hex tool (do not remove screws).
3. Remove the faceplate screws and pull luminaire out of the wall.
4. Loosen the Cap Set Screw using a 3/32" hex tool – do not remove screw!
5. Remove the Cap. Twisting the Cap while removing reduces the risk of damaging the O-Ring.
6. Inspect O-Ring for damage. Replace if necessary.
7. Remove Accessory Clip from cap of fixture.
8. Carefully remove Accessories from cap, if any.
9. Inspect Cap, Accessories, and Clip for damage. Replace if necessary.
10. Clean Cap and Accessories with a clean, damp cotton cloth.
11. Carefully install new Accessories into Cap.
12. Compress Clip and push into Cap until it holds Accessories tightly in Cap.
13. Install Cap on fixture by pushing and twisting slowly. If O-Ring is excessively dry, use a small amount of Krytox lubricant.
15. Tighten Cap Set Screw with the 3/32" hex tool so that is just bottoms out. Do not over tighten the Cap Set Screw! This may cause the fixture to not seal properly.
16. Install Body and Cover as described above in 'Installation'.