

## Specifications:

**Faceplate:** The aluminum or brass faceplate is pressed on to a machined, black anodized, aluminum cap, which is attached to the lamp holder (see below). Seal between cap and faceplate is a high temperature silicone O-ring. A 1/8" thick, tempered, clear lens, is secured to the faceplate with a high temperature, UV curing, silicone adhesive for a water tight seal. The faceplate accepts one internal lens accessory held in place by a stainless steel clip. The faceplate has two Ø3/16" countersunk mounting holes to mount to box (hardware included).

**Cover:** The aluminum or brass faceplate comes in two cutoffs. A 1/8" thick, Ø2 1/2" spread lens is secured to the cover and allows maximum light output and distribution. The cover is mounted to the faceplate using three 18-8 stainless steel set screws. The cover can be mounted once the faceplate is installed on the box and rotated to align, as desired, regardless of faceplate orientation.

**Box:** Faceplate is mounted to an industry standard 4" round cast aluminum box with cast aluminum box extension.

**Lamp Holder:** The machined 6061-T6 aluminum, black anodized lamp holder contains the socket and lamp, and attaches to the faceplate cap using one 18-8 stainless steel set screw.

**Finish:** TGIC thermo set polyester powder coat paint available in 14 standard colors. On aluminum model, finish is applied over a corrosion resistant chromate conversion coating. Aluminum model available in one additional metal finish: Clear Anodized. Brass model available in three additional metal finishes: Natural, Polished, and Aged.

**Socket:** GY-6.35 porcelain socket with 600V, 250°C, PTFE coated 18 ga leads.

**Lamp:** 12 Volt Bi-pin MR16 halogen up to 20 watts (Maximum allowable wattage depends on model. See **Certification** heading).

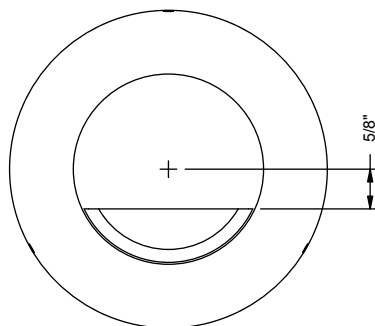
**Certification:** CSA tested & certified to US and Canadian safety standards for the following applications (not intended for use with combustible surfaces or thermal insulation contact):

Wet location wall mount use (UL1598):

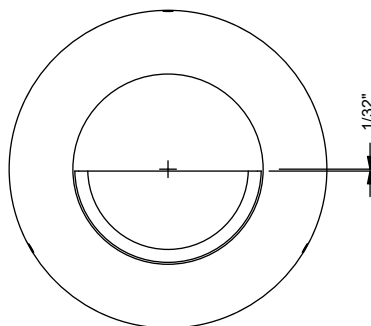
**PA5A - 20W Max. MR16 Halogen lamp.**

**PA5B - 20W Max. MR16 Halogen lamp.**

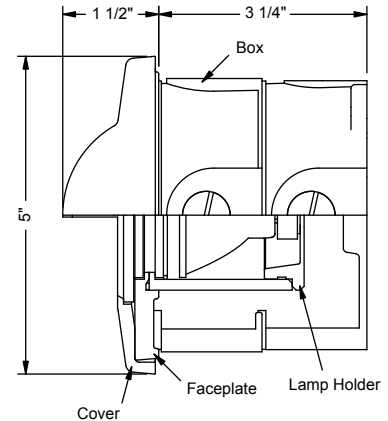
**Note: Supply wires to fixture must be rated for 105°C with MR16 lamp.**



3/4 Cutoff Cover



1/2 Cutoff Cover



## Ordering Information:

Model	Finish	Cutoff	Lamp <sup>1,2</sup>	Filter <sup>2</sup>
PA5A - Aluminum	BL - Black	C1 - 1/2 Cutoff	0 - None	0 - None
PA5B - Brass	BLT - Textured Black	C2 - 3/4 Cutoff	<b>MR16 Halogen:</b>	F1 - Red
	BN - Bronze		01 - ESX, 20W, 12° Narrow Spot	F2 - Blue
	BNT - Textured Bronze		02 - BAB, 20W, 40° Flood	F3 - Light Blue
	BAT - Textured Bark			F4 - Green
	WI - White			F5 - Amber
	GRT - Textured Green			F6 - Pink
	SI - Silver			F7 - Mercury Vapor
	GY - Grey			
	BE - Beige			
	GNT - Textured Granite			
	SAT - Textured Sand			
	PAT - Textured Patina			
	EAT - Textured Earth			
	CLA - Clear Anodized (PA5A only)			
	NAT - Natural (PA5B only)			
	POL - Polished (PA5B only)			
	AGE - Aged (PA5B only)			

### Notes:

- Allowable wattage depends on model and application. See **Certification** heading above.
- LED lamps available separately. Contact your Vision3 lighting CSR. ('Filter' options should not be used with LED lamps.)
- Specifications, certifications, and ordering information are subject to change. Please check website for latest specification sheets.

Example: **PA5A - GRT - C2 - 02 - 0**