



MR16 Bollard Path Light MODEL PA7
12 Volt, 50 Watt Max., MR16 Halogen

Specifications:

Body: Thick walled cast C84400 bronze housing attaches to mount base using black oxide coated 18-8 stainless steel hardware.

Mount Base: Machined C36000 brass mount base comes in two styles: Surface Mount and Stake Mount.

Faceplate: Cast C84400 bronze faceplate is pressed on to a machined, black anodized, 6061-T6 aluminum cap, which is attached to the lamp holder (see below). Seal between cap and faceplate is a high temperature silicone O-ring. A 1/8" thick, tempered, clear lens, is secured to the faceplate with a high temperature, UV curing, silicone adhesive for a water tight seal. The faceplate accepts two internal lens accessories, held in place by a stainless steel clip.

Cutoff Cover: Cast C84400 bronze cover comes in two cutoffs. A 1/8" thick, Ø2 1/2" spread lens is secured to the cover and allows maximum light output and distribution. The cover is mounted to the faceplate using three 18-8 stainless steel set screws. The cover can be mounted on the faceplate and rotated to align, as desired.

Lamp Holder: The machined 6061-T6 aluminum, black anodized lamp holder contains the socket and lamp, and attaches to the faceplate cap using one 18-8 stainless steel set screw.

Finish: TGIC thermo set polyester powder coat paint available in 14 standard colors. Available in two additional metal finishes: Natural and Aged.

Socket: GY-6.35 porcelain socket with 600V, 250°C, PTFE coated 18 ga leads.

Lamp: 12 Volt Bi-pin MR16 halogen up to 50 watts.

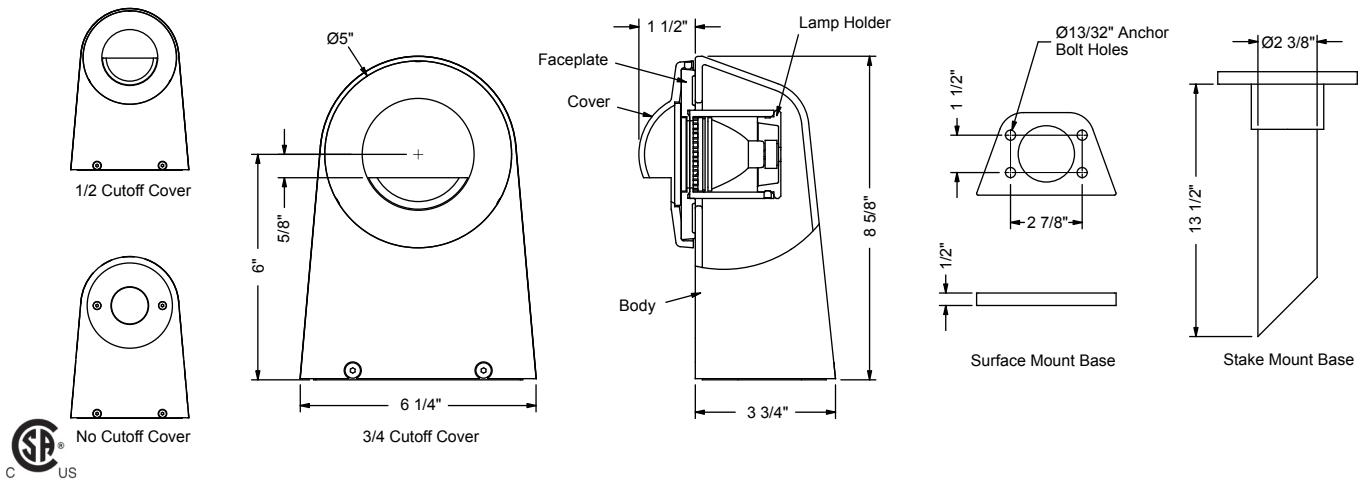
Certification: CSA tested & certified to US and Canadian safety standards for the following applications:

Wet location landscape use (UL1838):

PA7B - 50W Max. MR16 Halogen lamp.

Caution! - Higher wattage lamps may be unacceptable or harmful in certain applications. Consult the surface temperature table below before choosing a lamp suitable for your application.

Lamp Wattage	Approximate Max. Surface Temperature
50	105°C / 221°F
42	100°C / 212°F
35	90°C / 194°F
20	70°C / 158°F



Ordering Information:

PA7B							
Model	Finish	Cutoff Cover	Mount	Lamp ³	Lens Accy ^{1,2,3}	Filter ^{1,2,3}	Louver ^{1,2}
PA7B - Cast Bronze	BL - Black BLT - Textured Black BN - Bronze BNT - Textured Bronze BAT - Textured Bark WI - White GRT - Textured Green SI - Silver GY - Grey BE - Beige GNT - Textured Granite SAT - Textured Sand PAT - Textured Patina EAT - Textured Earth NAT - Natural (PA7B only) AGE - Aged (PA7B only)	C0 - No Cutoff Cover ¹ C1 - 1/2 Cutoff Cover ² C2 - 3/4 Cutoff Cover ²	SM - Surface Mount S1-12 - 12" Stake Mount	0 - None MR16 Halogen: 01 - ESX, 20W, 12° Narrow Spot 02 - BAB, 20W, 40° Flood 03 - FRB, 35W, 12° Narrow Spot 04 - FRA, 35W, 23° Narrow Flood 05 - FMW, 35W, 40° Flood 06 - EYR, 42W, 12° Narrow Spot 07 - EYS, 42W, 25° Narrow Flood 08 - EYP, 42W, 40° Flood 09 - EXT, 50W, 13° Narrow Spot 10 - EXZ, 50W, 26° Narrow Flood 11 - EXN, 50W, 40° Flood 12 - FNV, 50W, 60° Wide Flood	0 - None L1 - Spread Lens L2 - Linear Lens L3 - Softening Lens	0 - None F1 - Red F2 - Blue F3 - Light Blue F4 - Green F5 - Amber F6 - Pink F7 - Mercury Vapor	0 - None H1 - Honeycomb Louver

- Notes:**
- 'C0 - No Cutoff Cover' option may contain up to two accessories.
 - 'C1 - 1/2 Cutoff Cover' and 'C2 - 3/4 Cutoff Cover' options may contain one accessory, and can only be used with a color filter.
 - LED lamps available separately. Contact your Vision3 lighting CSR. ('Lens Accy' & 'Filter' options should not be used with LED lamps.)
 - Specifications, certifications, and ordering information are subject to change. Please check website for latest specification sheets.

Example: **PA7B - NAT - C1 - SM - 05 - 0 - F2 - 0**