



**MR16 Sign Light MODEL SL1**  
12 Volt, 50 Watt Max., MR16 Halogen

**Specifications:**

**Material:** Available in machined 6061-T6 aluminum or C36000 brass. (Maximum allowable stem length depends on model. See **Certification** heading).

**Knuckle:** Rotate and Lock knuckle (protected under U.S. Patents #6,966,679 and #7,108,405) mounts the body to the stem and allows for infinite adjustability (with the fixture in the up or down position). Double taper design allows fixture to hold position during aiming and ensures a solid lock when tightened. See Model MO7 - Rotate and Lock submittal for complete specifications.

**Cap:** Machined caps come in four styles, lock in place with one 18-8 stainless steel set screw, and are sealed to the body with a high temperature silicone O-ring. Regressed caps have drain holes for water drainage from top of lens if mounted in the up position. 'Flush Lens' cap styles incorporate a stepped lens to reduce the collection of water and debris on the lens. All caps accept up to three internal accessories, held in place by a stainless steel clip.

**Mount Canopy:** Available with the following mount options: MO3 (Machined Round Canopy), MO15 (Machined Square Canopy), and MO12 (Surface Mount Powered Canopy). Stem is permanently attached to mount canopy using a 304 stainless steel threaded nipple to prevent loosening or sagging. See mount specification sheets for more information. (Mount canopy must be mounted to an appropriate wall or junction box, in such a manner that is capable of holding the weight and torque created by the fixture. Junction box and hardware not included).

**Finish:** TGIC thermo set polyester powder coat paint available in 14 standard colors. On aluminum model, finish is applied over a corrosion resistant chromate conversion coating. Aluminum model available in one additional metal finish: Clear Anodized. Brass model available in three additional metal finishes: Natural, Polished, and Aged.

**Socket:** GY-6.35 porcelain socket with 600V, 250°C, PTFE coated 18 ga leads.

**Lamp:** 12 Volt Bi-pin MR16 halogen up to 50 watts.

**Lens:** Tempered, clear lens, secured to cap with a high temperature, UV curing, silicone adhesive. Stepped lens is used in 'Flush Lens' cap style options to reduce the collection of water and debris on the lens.

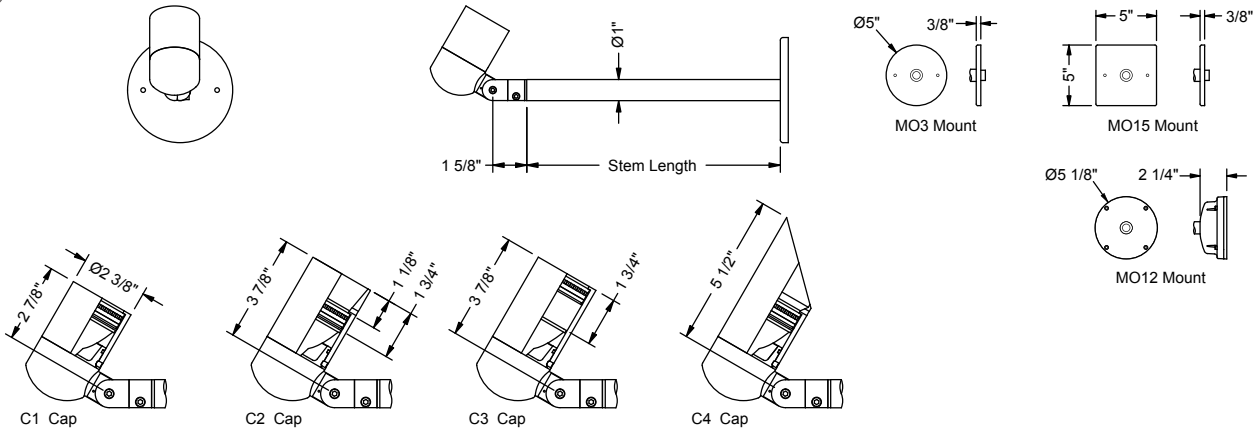
**Certification:** CSA tested & certified to US and Canadian safety standards for the following applications:

Wet location wall mount use (UL1598):

**SL1A - 50W Max. MR16 Halogen lamp & Max. 48" Stem.**

**SL1B - 35W Max. MR16 Halogen lamp & Max. 30" Stem.**

**(Must be mounted in such a manner to properly support the fixture)**



**Ordering Information:**

Model	Finish	Cap Style	Stem <sup>4,5</sup>	Mount <sup>3</sup>	Lamp <sup>1,2</sup>	Lens Accy <sup>2</sup>	Filter <sup>2</sup>	Louver
SL1A - Aluminum	BL - Black	Standard Lens:	6 - 6" Stem	MO3 - Round Canopy	0 - None	0 - None	0 - None	0 - None
SL1B - Brass	BLT - Textured Black	C1 - Flush	12 - 12" Stem	MO15 - Square Canopy	<b>MR16 Halogen:</b>	L1 - Spread Lens	F1 - Red	F5 - Amber
	BN - Bronze	C2 - Regress Lens	18 - 18" Stem	MO12 - Surface Mount Canopy	01 - ESX, 20W, 12° Narrow Spot	L2 - Linear Lens	F2 - Blue	F6 - Pink
	BNT - Textured Bronze	C3 - Regress Lamp	24 - 24" Stem	MO12-75-120 - MO12 w/ 75W, 120V transformer	02 - BAB, 20W, 40° Flood	L3 - Softening Lens	F3 - Light Blue	F7 - Mercury Vapor
	BAT - Textured Bark	C4 - 45° Angled	30 - 30" Stem	MO12-75-230 - MO12 w/ 75W, 230V transformer	03 - FRB, 35W, 12° Narrow Spot			
	WI - White	Flush Lens:	36 - 36" Stem <sup>5</sup>	MO12-75-277 - MO12 w/ 75W, 277V transformer	04 - FRA, 35W, 23° Narrow Flood	<b>Notes:</b>		
	GRT - Textured Green	C1F - Flush	42 - 42" Stem <sup>5</sup>		05 - FMW, 35W, 40° Flood	1. Allowable wattage depends on model and application. See Certification heading above.		
	SI - Silver	C2F - Regress Lens	48 - 48" Stem <sup>5</sup>		06 - EYR, 42W, 12° Narrow Spot	2. LED lamps available separately. Contact your Vision3 lighting CSR. ('Lens Accy' & 'Filter' options should not be used with LED lamps.)		
	GY - Grey	C3F - Regress Lamp			07 - EYS, 42W, 25° Narrow Flood	3. See MO3, MO12, or MO15 specification sheet for mount details.		
	BE - Beige	C4F - 45° Angled			08 - EYP, 42W, 40° Flood	4. Other stem lengths are available upon request. Consult your Vision3 Lighting sales representative.		
	GNT - Textured Granite				09 - EXT, 50W, 13° Narrow Spot	5. Stem lengths longer than 30" not available with SL1B. Allowable stem length depends on model. See Certification heading above.		
	SAT - Textured Sand				10 - EXZ, 50W, 26° Narrow Flood	6. Specifications, certifications, and ordering information are subject to change. Please check website for latest specification sheets.		
	PAT - Textured Patina				11 - EXN, 50W, 40° Flood			
	EAT - Textured Earth				12 - FNV, 50W, 60° Wide Flood			
	CLA - Clear Anodized (SL1A only)							
	NAT - Natural (SL1B only)							
	POL - Polished (SL1B only)							
	AGE - Aged (SL1B only)							

**Example: SL1A - BL - C3 - 24 - MO15 - 01 - 0 - F2 - H1**