



PAR20 Metal Halide Sign Light **MODEL SL5**

39 Watt Max., PAR20 Metal Halide

Specifications:

Material: Machined 6061-T6 aluminum.

Knuckle: Rotate and Lock knuckle (protected under U.S. Patents #6,966,679 and #7,108,405) mounts the body to the stem and allows for infinite adjustability (with the fixture in the up or down position). Double taper design allows fixture to hold position during aiming and ensures a solid lock when tightened. See Model MO7 - Rotate and Lock submittal for complete specifications.

Cap: Machined caps come in four styles, lock in place with one 18-8 stainless steel set screw, and are sealed to the body with a high temperature silicone O-ring. Regressed caps have drain holes for water drainage from top of lens if mounted in the up position. All caps accept up to three internal accessories, held in place by a stainless steel clip.

Mount Canopy: Available with the following mount options: MO3 (Machined Round Canopy), MO15 (Machined Square Canopy), MO12 (Surface Mount Canopy) and BM6 (Surface Mount Ballast Canopy). Stem is permanently attached to mount canopy using a 304 stainless steel threaded nipple to prevent loosening or sagging. See mount specification sheets for more information. (Mount canopy must be mounted to an appropriate wall or junction box, in such a manner that is capable of holding the weight and torque created by the fixture. Junction box and hardware not included).

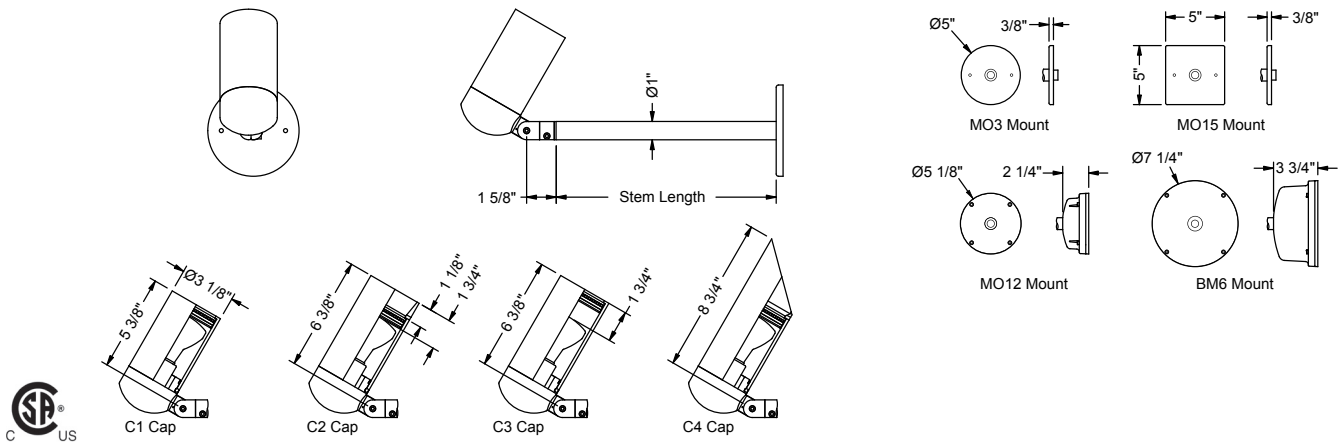
Finish: TGIC thermo set polyester powder coat paint available in 14 standard colors. Finish is applied over a corrosion resistant chromate conversion coating. Also available in one additional metal finish: Clear Anodized.

Socket: Medium Base Porcelain Lamp holder with copper alloy, nickel-plated screw shell and center contact, and 600V, 250° C, PTFE coated 18 ga leads.

Lamp: Medium base PAR20 metal halide up to 39 watts. (Remote ballast is required, except with BM6 mount option)

Lens: Tempered, clear lens, secured to cap with a high temperature, UV curing, silicone adhesive.

Certification: CSA tested & certified to US and Canadian safety standards for wet location wall mount use per UL1598 (Must be mounted in such a manner to properly support the fixture).



Ordering Information:

SL5A									
Model	Finish	Cap Style	Stem ¹	Mount ²	Lamp	Lens Accy	Filter	Louwer	Remote Ballast Catalog String
SL5A - Aluminum	BL - Black	C1 - Flush	6 - 6" Stem	MO3 - Round Canopy	0 - None	0 - None	0 - None	0 - None	Fixture must be specified with one of the following remote ballasts, unless specified with a BM6 mount option ³ :
	BLT - Textured Black	C2 - Regress Lens	12 - 12" Stem	MO15 - Square Canopy	PAR20 Metal Halide:	L1 - Spread Lens	F1 - Red	H1 - Honeycomb	
	BN - Bronze	C3 - Regress Lamp	18 - 18" Stem	MO12 - Surface Mount Canopy	32 - 39W, 10° Spot	L2 - Linear Lens	F2 - Blue	Louwer	
	BNT - Textured Bronze	C4 - 45° Angled	24 - 24" Stem		33 - 39W, 30° Flood	L3 - Softening Lens	F3 - Light Blue		
	BAT - Textured Bark		30 - 30" Stem	BM6-M-MH-39-MT - Surface Mount Canopy w/ 39W, multi-tap magnetic ballast ³			F4 - Green		BM3 - In Ground Remote Ballast ^{3,4}
	WI - White		36 - 36" Stem				F5 - Amber		BM4 - Wall Mount Remote Ballast ^{3,4}
	GRT - Textured Green		42 - 42" Stem	BM6-E-MH-39-120 - Surface Mount Canopy w/ 120V electronic ballast ³			F6 - Pink		
	SI - Silver		48 - 48" Stem						
	GY - Grey								
	BE - Beige								
	GNT - Textured Granite								
	SAT - Textured Sand								
	PAT - Textured Patina								
	EAT - Textured Earth								
	CLA - Clear Anodized								

Notes:

- Other stem lengths are available upon request. Consult your Vision3 Lighting sales representative.
- See MO3, MO12, MO15, or BM6 specification sheet for mount details.
- If SL5 is specified with a BM6 style mount option, a remote ballast does not need to be specified, as the BM6 comes with an integral ballast.
- See ballast submittal for specifications, limitations, and correct catalog number logic. Ballast type and wattage must match lamp type and wattage.
- Specifications, certifications, and ordering information are subject to change. Please check website for latest specification sheets.

Example: **SL5A - BNT - C3 - 12 - BM6-E-MH-120 - 33 - L2 - 0 - 0 - Ballast Catalog String**