



PAR16/PAR20 Dual Sign Light MODEL SL7
120V, 150W Max. total both lamps, Dual PAR16/PAR20 Halogens

Specifications:

Material: Machined 6061-T6 aluminum.

Knuckle: A Rotate and Lock knuckle (protected under U.S. Patents #6,966,679 and #7,108,405) mounts each body to the mount cap and allows for infinite adjustability. Double taper design allows fixture to hold position during aiming and ensures a solid lock when tightened. See Model MO7 - Rotate and Lock submittal for complete specifications.

Cap: Machined caps come in four styles, lock in place with one 18-8 stainless steel set screw, and are sealed to the body with a high temperature silicone O-ring. Regressed caps have drain holes for water drainage from top of lens if mounted in the up position. All caps accept up to three internal accessories, held in place by a stainless steel clip.

Mount Canopy: Available with the following mount options: MO3 (Machined Round Canopy), MO15 (Machined Square Canopy), and MO12 & MO13 (Surface Mount Powered Canopies). Stem is permanently attached to mount canopy using a 304 stainless steel threaded nipple to prevent loosening or sagging. See mount specification sheets for more information. (Mount canopy must be mounted to an appropriate wall or junction box, in such a manner that is capable of holding the weight and torque created by the fixture. Junction box and hardware not included).

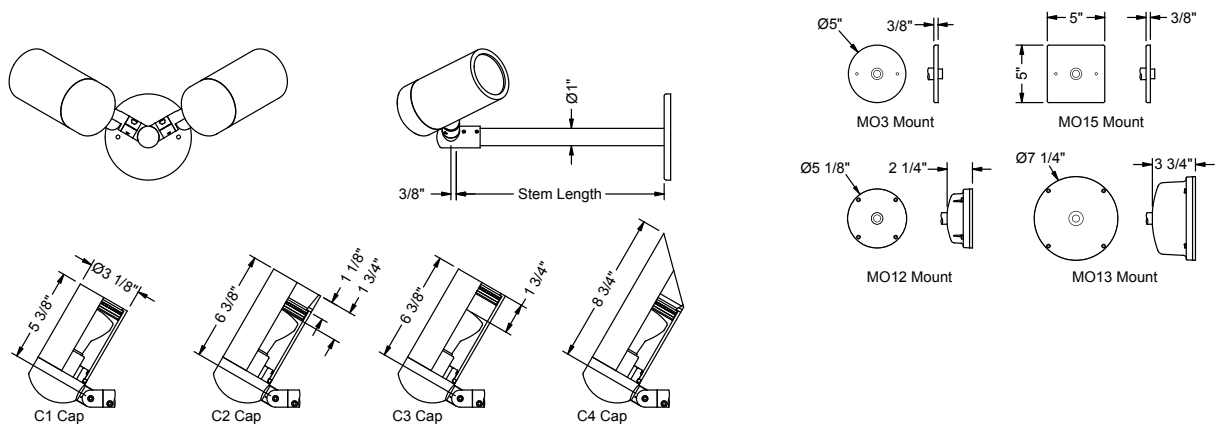
Finish: TGIC thermo set polyester powder coat paint available in 14 standard colors. Finish is applied over a corrosion resistant chromate conversion coating. Also available in one additional metal finish: Clear Anodized.

Socket: Two medium base porcelain lamp holders with copper alloy, nickel-plated screw shell and center contact, and 600V, 250° C, PTFE coated 18 ga leads.

Lamp: Two 120 Volt medium base PAR16/PAR20 Halogen lamps.

Lens: Each cap contains a tempered, clear lens, secured with a high temperature, UV curing, silicone adhesive.

Certification: CSA tested & certified to US and Canadian safety standards for wet location wall mount use per UL1598 (Must be mounted in such a manner to properly support the fixture).



Ordering Information:

SL7A										
Model	Finish	Cap Style	Stem ¹	Mount ²	Lamp ³	Lens Accy ³	Filter ³	Louver ³		
SL7A - Aluminum	BL - Black BLT - Textured Black BN - Bronze BNT - Textured Bronze BAT - Textured Bark WI - White GRT - Textured Green SI - Silver GY - Grey BE - Beige GNT - Textured Granite SAT - Textured Sand PAT - Textured Patina EAT - Textured Earth CLA - Clear Anodized	C1 - Flush C2 - Regress Lens C3 - Regress Lamp C4 - 45° Angled	6 - 6" Stem 12 - 12" Stem 18 - 18" Stem 24 - 24" Stem 30 - 30" Stem 36 - 36" Stem 42 - 42" Stem	MO3 - Round Canopy MO15 - Square Canopy MO12 - Surface Mount Canopy MO13 - Surface Mount Canopy	0 - None PAR16 Halogen: 26 - 45W, 10° Narrow Spot 27 - 45W, 27° Narrow Flood 28 - 60W, 10° Narrow Spot 29 - 60W, 27° Narrow Flood 30 - 75W, 10° Narrow Spot 31 - 75W, 30° Narrow Flood	PAR20 Halogen: 23 - 50W, 9° Narrow Spot 24 - 50W, 16° Spot 25 - 50W, 30° Narrow Flood	0 - None L1 - Spread Lens L2 - Linear Lens L3 - Softening Lens	0 - None F1 - Red F2 - Blue F3 - Light Blue F4 - Green F5 - Amber F6 - Pink	0 - None H1 - Honeycomb Louver	

- Notes:**
- Other stem lengths are available upon request. Consult your Vision3 Lighting sales representative.
 - See MO3, MO12, MO13, or MO15 specification sheet for mount details.
 - LED & CFL lamps available separately. Contact your Vision3 lighting CSR. ('Lens Accy' & 'Filter' options should not be used with LED lamps. 'Lens Accy', 'Filter', & 'Louver' options not available with CFL lamps unless a 'C3' cap is specified.)
 - Specifications, certifications, and ordering information are subject to change. Please check website for latest specification sheets.

Example: SL7A - BN - C3 - 24 - MO3 - 25 - L1 - 0 - 0