



# MR16 Dual Sign Light **MODEL SL8**

12V, 75W Max. each lamp, Dual MR16 Halogens

## Specifications:

**Material:** Machined 6061-T6 aluminum.

**Knuckle:** A Rotate and Lock knuckle (protected under U.S. Patents #6,966,679 and #7,108,405) mounts each body to the mount cap and allows for infinite adjustability. Double taper design allows fixture to hold position during aiming and ensures a solid lock when tightened. See Model MO7 - Rotate and Lock submittal for complete specifications.

**Cap:** Machined caps come in four styles, lock in place with one 18-8 stainless steel set screw, and are sealed to the body with a high temperature silicone O-ring. Regressed caps have drain holes for water drainage from top of lens if mounted in the up position. All caps accept up to three internal accessories, held in place by a stainless steel clip.

**Mount Canopy:** Available with the following mount options: MO3 (Machined Round Canopy), MO15 (Machined Square Canopy), and MO12 & MO13 (Surface Mount Powered Canopies). Stem is permanently attached to mount canopy using a 304 stainless steel threaded nipple to prevent loosening or sagging. See mount specification sheets for more information. (Mount canopy must be mounted to an appropriate wall or junction box, in such a manner that is capable of holding the weight and torque created by the fixture. Junction box and hardware not included).

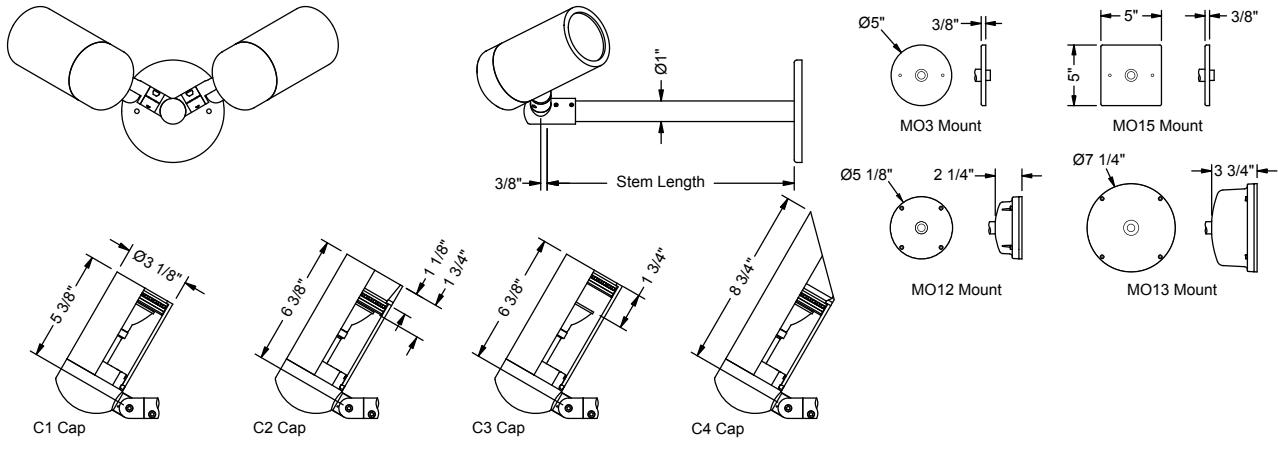
**Finish:** TGIC thermo set polyester powder coat paint available in 14 standard colors. Finish is applied over a corrosion resistant chromate conversion coating. Also available in one additional metal finish: Clear Anodized.

**Socket:** Two GY-6.35 porcelain sockets with 600V, 250°C, PTFE coated 18 ga leads.

**Lamp:** Two 12 Volt Bi-pin MR16 halogens up to 75 watts each.

**Lens:** Each cap contains a tempered, clear lens, secured with a high temperature, UV curing, silicone adhesive.

**Certification:** CSA tested & certified to US and Canadian safety standards for wet location wall mount use per UL1598 (Must be mounted in such a manner to properly support the fixture).



## Ordering Information:

SL8A									
Model	Finish	Cap Style	Stem <sup>1</sup>	Mount <sup>2</sup>	Lamp <sup>3</sup>	Lens Accy <sup>3</sup>	Filter <sup>3</sup>	Louver	
SL8A - Aluminum BL - Black		C1 - Flush	6 - 6" Stem	MO3 - Round Canopy	0 - None	0 - None	0 - None	0 - None	
BLT - Textured Black		C2 - Regress Lens	12 - 12" Stem	MO15 - Square Canopy	<b>MR16 Halogen:</b>	L1 - Spread Lens	F1 - Red	H1 - Honeycomb	
BN - Bronze		C3 - Regress Lamp	18 - 18" Stem	MO12 - Surface Mount Canopy	01 - ESX, 20W, 12° Narrow Spot	L2 - Linear Lens	F2 - Blue	Louver	
BNT - Textured Bronze		C4 - 45° Angled	24 - 24" Stem	MO12-75-120 - MO12 w/ 75W, 120V transformer	02 - BAB, 20W, 40° Flood	L3 - Softening Lens	F3 - Light Blue		
BAT - Textured Bark			30 - 30" Stem	MO12-75-230 - MO12 w/ 75W, 230V transformer	03 - FRB, 35W, 12° Narrow Spot		F4 - Green		
WI - White			36 - 36" Stem	MO12-75-277 - MO12 w/ 75W, 277V transformer	04 - FRA, 35W, 23° Narrow Flood		F5 - Amber		
GRT - Textured Green			42 - 42" Stem	MO13 - Surface Mount Canopy	05 - FMW, 35W, 40° Flood		F6 - Pink		
SI - Silver			48 - 48" Stem	MO13-75-120 - MO13 w/ 75W, 120V transformer	06 - EYR, 42W, 12° Narrow Spot				
GY - Grey				MO13-75-230 - MO13 w/ 75W, 230V transformer	07 - EYS, 42W, 25° Narrow Flood				
BE - Beige				MO13-75-277 - MO13 w/ 75W, 277V transformer	08 - EYP, 42W, 40° Flood				
GNT - Textured Granite				MO13-150-120 - MO13 w/ 150W, 120V transformer	09 - EXT, 50W, 13° Narrow Spot				
SAT - Textured Sand				MO13-150-277 - MO13 w/ 150W, 277V transformer	10 - EXZ, 50W, 26° Narrow Flood				
PAT - Textured Patina					11 - EXN, 50W, 40° Flood				
EAT - Textured Earth					12 - FNV, 50W, 60° Wide Flood				
CLA - Clear Anodized					13 - EYF, 75W, 13° Narrow Spot				
					14 - EYJ, 75W, 26° Narrow Flood				
					15 - EYC, 75W, 44° Flood				

**Notes:**

- Other stem lengths are available upon request. Consult your Vision3 Lighting sales representative.
- See MO3, MO12, MO13, MO15 specification sheet for mount details.
- LED lamps available separately. Contact your Vision3 lighting CSR. ('Lens Accy' & 'Filter' options should not be used with LED lamps.)
- Specifications, certifications, and ordering information are subject to change. Please check website for latest specification sheets.

Example: **SL8A - BLT - C2 - 18 - MO12-75-120 - 07 - L1 - 0 - 0**