

### Specifications:

**Material:** Available in machined 6061-T6 aluminum or C36000 brass.

**Cap:** Machined caps come in four styles, lock in place with one 18-8 stainless steel set screw, and are sealed to the body with a high temperature silicone O-ring. Regressed caps have drain holes for water drainage from top of lens if mounted in the up position. All caps accept up to three internal accessories, held in place by a stainless steel clip.

**Mount Canopy:** Available with the following mount options: MO3 (Machined Round Canopy), MO15 (Machined Square Canopy), and MO12 & MO13 (Surface Mount Powered Canopies); and may be mounted in the up or down position. Stem is permanently attached to the mount canopy to prevent loosening. MO3 & MO15 mount options come mounted to a steel universal mounting ring for ease of mounting and adjustment on an industry standard round junction box (box and hardware not supplied). See mount specification sheets for more information. (Mount canopy must be mounted to an appropriate wall or junction box, in such a manner that is capable of holding the weight of the fixture. Junction box and hardware not included).

**Finish:** TGIC thermo set polyester powder coat paint available in 14 standard colors. On aluminum model, finish is applied over a corrosion resistant chromate conversion coating. Aluminum model available in one additional metal finish: Clear Anodized. Brass model available in three additional metal finishes: Natural, Polished, and Aged.

**Socket:** Medium Base Porcelain Lamp holder with copper alloy, nickel-plated screw shell and center contact, and 600V, 250° C, PTFE coated 18 ga leads.

**Lamp:** 120 Volt medium base PAR16 halogen up to 75 Watts, or 120 Volt medium base PAR20 halogen up to 50 Watts (Maximum allowable wattage depends on model and application. See **Certification** heading).

**Lens:** Tempered, clear lens, secured to cap with a high temperature, UV curing, silicone adhesive.

**Certification:** CSA tested & certified to US and Canadian safety standards for wet location wall mount use (UL1598):

MO3 & MO15 mount options:

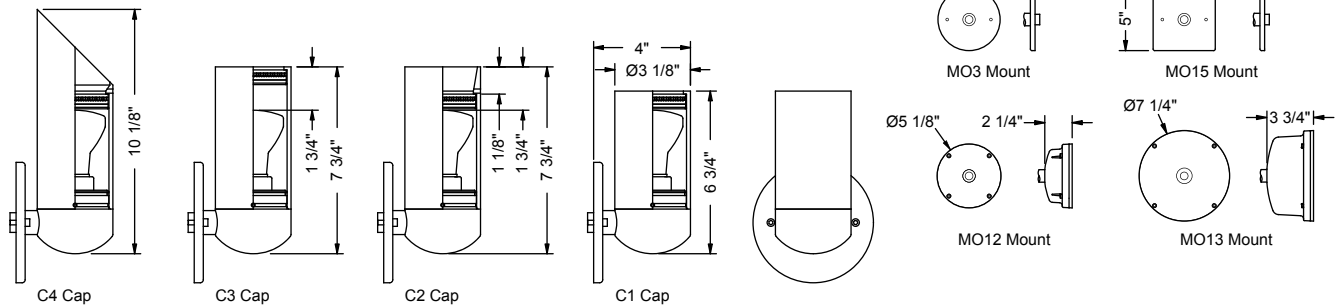
**WM2A - 75W Max. PAR16/PAR20 Halogen lamp.**

**WM2B - 50W Max. PAR16/PAR20 Halogen lamp.**

MO12 & MO13 mount options:

**WM2A - 75W Max. PAR16/PAR20 Halogen lamp.**

**WM2B - 60W Max. PAR16/PAR20 Halogen lamp.**



(All Shown with MO3 Mount)



### Ordering Information:

Model	Finish	Cap Style	Mount <sup>1</sup>	Lamp <sup>2,3</sup>	Lens Accy <sup>3</sup>	Filter <sup>3</sup>	Louver <sup>3</sup>
WM2A - Aluminum	BL - Black	C1 - Flush	MO3 - Round Canopy	0 - None	0 - None	0 - None	0 - None
WM2B - Brass	BLT - Textured Black	C2 - Regress Lens	MO15 - Square Canopy	<b>PAR16 Halogen:</b>	L1 - Spread Lens	F1 - Red	H1 - Honeycomb Louver
	BN - Bronze	C3 - Regress Lamp	MO12 - Surface Mount Canopy	26 - 45W, 10° Narrow Spot	L2 - Linear Lens	F2 - Blue	
	BNT - Textured Bronze	C4 - 45° Angled	MO13 - Surface Mount Canopy	27 - 45W, 27° Narrow Flood	L3 - Softening Lens	F3 - Light Blue	
	BAT - Textured Bark			28 - 60W, 10° Narrow Spot		F4 - Green	
	WI - White			29 - 60W, 27° Narrow Flood		F5 - Amber	
	GRT - Textured Green			30 - 75W, 10° Narrow Spot		F6 - Pink	
	SI - Silver			31 - 75W, 30° Narrow Flood			
	GY - Grey						
	BE - Beige						
	GNT - Textured Granite						
	SAT - Textured Sand						
	PAT - Textured Patina						
	EAT - Textured Earth						
	CLA - Clear Anodized (WM2A only)						
	NAT - Natural (WM2B only)						
	POL - Polished (WM2B only)						
	AGE - Aged (WM2B only)						

#### Notes:

- See MO3, MO12, MO13 or MO15 specification sheet for mount details.
- Allowable wattage depends on model and mount. See **Certification** heading above.
- LED & CFL lamps available separately. Contact your Vision3 lighting CSR. ('Lens Accy' & 'Filter' options should not be used with LED lamps. 'Lens Accy', 'Filter', & 'Louver' options not available with CFL lamps unless a 'C3' cap is specified.)
- Specifications, certifications, and ordering information are subject to change. Please check website for latest specification sheets.

Example: **WM2A - BLT - C3 - MO3 - 24 - L1 - F2 - 0**