

Specifications:

Material: Available in machined 6061-T6 aluminum or C36000 brass.

Cap: Machined caps come in three styles, lock in place with one 18-8 stainless steel set screw, and are sealed to the body with a high temperature silicone O-ring. Regressed caps have drain holes for water drainage from top of lens. All caps accept up to three internal accessories, held in place by a stainless steel clip.

Mount Canopy: Available with the following mount options: MO3 (Machined Round Canopy), MO15 (Machined Square Canopy), and MO12 & MO13 (Surface Mount Canopies); and may be mounted in the up or down position. Stem is permanently attached to the mount canopy to prevent loosening. MO3 & MO15 mount options come mounted to a steel universal mounting ring for ease of mounting and adjustment on an industry standard round junction box (box and hardware not supplied). See mount specification sheets for more information. (Mount canopy must be mounted to an appropriate wall or junction box, in such a manner that is capable of holding the weight of the fixture. Junction box and hardware not included).

Electrical: Includes an integral 75VA, 12V output, magnetic transformer with 120V or 277V, 60Hz input.

Finish: TGIC thermo set polyester powder coat paint available in 14 standard colors. On aluminum model, finish is applied over a corrosion resistant chromate conversion coating. Aluminum model available in one additional metal finish: Clear Anodized. Brass model available in three additional metal finishes: Natural, Polished, and Aged.

Socket: GY-6.35 porcelain socket with 600V, 250°C, PTFE coated 18 ga leads.

Lamp: 12 Volt Bi-pin MR16 halogen up to 75 watts. (See **Certification** heading for wattage limitations.)

Lens: Tempered, clear lens, secured to cap with a high temperature, UV curing, silicone adhesive.

Certification: CSA tested & certified to US and Canadian safety standards for wet location wall mount use (UL1598):

MO3 & MO15 mount options:

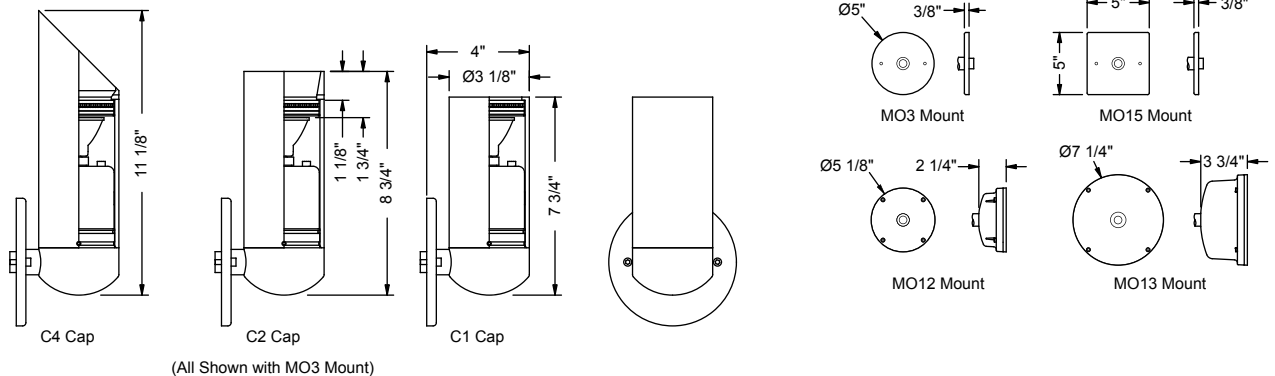
WM4A - 75W Max. MR16 Halogen lamp.

WM4B - 37W Max. MR16 Halogen lamp.

MO12 & MO13 mount options:

WM4A - 75W Max. MR16 Halogen lamp.

WM4B - 50W Max. MR16 Halogen lamp.



Ordering Information:

Model	Finish	Cap Style	Mount ¹	Transformer Input Voltage	Lamp ^{2,3}	Lens Accy ³	Filter ³	Louver
WM4A - Aluminum	BL - Black	C1 - Flush	MO3 - Round Canopy	120 - 120 Volt Input	0 - None	0 - None	0 - None	0 - None
WM4B - Brass	BLT - Textured Black	C2 - Regress Lens	MO15 - Square Canopy	277 - 277 Volt Input	MR16 Halogen:	L1 - Spread Lens	F1 - Red	H1 - Honeycomb Louver
	BN - Bronze	C4 - 45° Angled	MO12 - Surface Mount Canopy		01 - ESX, 20W, 12° Narrow Spot	L2 - Linear Lens	F2 - Blue	
	BNT - Textured Bronze		MO13 - Surface Mount Canopy		02 - BAB, 20W, 40° Flood	L3 - Softening Lens	F3 - Light Blue	
	BAT - Textured Bark				03 - FRB, 35W, 12° Narrow Spot		F4 - Green	
	WI - White				04 - FRA, 35W, 23° Narrow Flood		F5 - Amber	
	GRT - Textured Green				05 - FMW, 35W, 40° Flood		F6 - Pink	
	SI - Silver				06 - EYR, 42W, 12° Narrow Spot			
	GY - Grey				07 - EYS, 42W, 25° Narrow Flood			
	BE - Beige				08 - EYP, 42W, 40° Flood			
	GNT - Textured Granite				09 - EXT, 50W, 13° Narrow Spot			
	SAT - Textured Sand				10 - EXZ, 50W, 26° Narrow Flood			
	PAT - Textured Patina				11 - EXN, 50W, 40° Flood			
	EAT - Textured Earth				12 - FNV, 50W, 60° Wide Flood			
	CLA - Clear Anodized (WM4A only)				13 - EYF, 75W, 13° Narrow Spot			
	NAT - Natural (WM4B only)				14 - EYJ, 75W, 26° Narrow Flood			
	POL - Polished (WM4B only)				15 - EYC, 75W, 44° Flood			
	AGE - Aged (WM4B only)							

Notes:

- See MO3, MO12, MO13, or MO15 specification sheet for mount details.
- Allowable wattage depends on model and mount. See **Certification** heading above.
- LED lamps available separately. Contact your Vision3 lighting CSR. (Lens Accy & 'Filter' options should not be used with LED lamps.)
- Specifications, certifications, and ordering information are subject to change. Please check website for latest specification sheets.

Example: **WM4A - CLA - C4 - MO3 - 277 - 01 - 0 - 0 - H1**