



PAR20 Metal Halide Wall Mount **MODEL WM5**

39 Watt Max., PAR20 Metal Halide

Specifications:

Material: Available in machined 6061-T6 aluminum or C36000 brass.

Cap: Machined caps come in four styles, lock in place with one 18-8 stainless steel set screw, and are sealed to the body with a high temperature silicone O-ring. Regressed caps have drain holes for water drainage from top of lens if mounted in the up position. All caps accept up to three internal accessories, held in place by a stainless steel clip.

Mount Canopy: Available with the following mount options: MO3 (Machined Round Canopy), MO15 (Machined Square Canopy), MO12 & MO13 (Surface Mount Canopies), and BM6 (Surface Mount Ballast Canopy); and may be mounted in the up or down position. Stem is permanently attached to the mount canopy to prevent loosening. MO3 & MO15 mount options come mounted to a steel universal mounting ring for ease of mounting and adjustment on an industry standard round junction box (box and hardware not supplied). See mount specification sheets for more information. (Mount canopy must be mounted to an appropriate wall or junction box, in such a manner that is capable of holding the weight of the fixture. Junction box and hardware not included).

Finish: TGIC thermo set polyester powder coat paint available in 14 standard

colors. On aluminum model, finish is applied over a corrosion resistant chromate conversion coating. Aluminum model available in one additional metal finish: Clear Anodized. Brass model available in three additional metal finishes: Natural, Polished, and Aged.

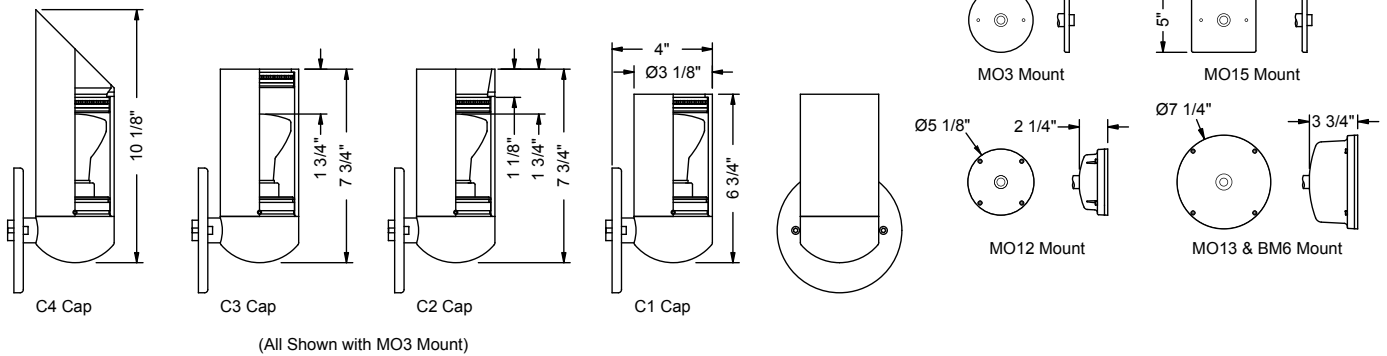
Socket: Medium Base Porcelain Lamp holder with copper alloy, nickel-plated screw shell and center contact, and 600V, 250° C, PTFE coated 18 ga leads.

Lamp: Medium base PAR20 metal halide up to 39 watts. (Remote ballast is required, except with BM6 mount option)

Lens: Tempered, clear lens, secured to cap with a high temperature, UV curing, silicone adhesive.

Certification: CSA tested & certified to US and Canadian safety standards for wet location wall mount use (UL1598). *

* - WM5B not rated for use with BM6-E-MH-39-120 mount option.



Ordering Information:

Model	Finish	Cap Style	Mount ¹	Lamp	Lens Accy	Filter	Louver	Remote Ballast Catalog String
WM5A - Aluminum	BL - Black	C1 - Flush	MO3 - Round Canopy	0 - None	0 - None	0 - None	0 - None	Fixture must be specified with one of the following remote ballasts, unless specified with a BM6 mount option ³ : BM3 - In Ground Remote Ballast ^{2,3} BM4 - Wall Mount Remote Ballast ^{2,3}
WM5B - Brass	BLT - Textured Black	C2 - Regress Lens	MO15 - Square Canopy	PAR20 Metal Halide:	L1 - Spread Lens	F1 - Red	H1 - Honeycomb Louver	
	BN - Bronze	C3 - Regress Lamp	MO12 - Surface Mount Canopy	32 - 39W, 10° Spot	L2 - Linear Lens	F2 - Blue		
	BNT - Textured Bronze	C4 - 45° Angled	MO13 - Surface Mount Canopy	33 - 39W, 30° Flood	L3 - Softening Lens	F3 - Light Blue		
	BAT - Textured Bark		BM6-E-MH-39-120 - Surface Mount Canopy w/ 39W, 120V electronic ballast ^{2,4}			F4 - Green		
	WI - White		BM6-M-MH-39-MT - Surface Mount Canopy w/ 39W multi-tap magnetic ballast ²			F5 - Amber		
	GRT - Textured Green					F6 - Pink		
	SI - Silver							
	GY - Grey							
	BE - Beige							
	GNT - Textured Granite							
	SAT - Textured Sand							
	PAT - Textured Patina							
	EAT - Textured Earth							
	CLA - Clear Anodized (WM5A only)							
	NAT - Natural (WM5B only)							
	POL - Polished (WM5B only)							
	AGE - Aged (WM5B only)							

- Notes:**
- See MO3, MO12, MO13, MO15, or BM6 specification sheet for mount details.
 - If WM5 is specified with a BM6 style mount option, a remote ballast does not need to be specified, as the BM6 comes with an integral ballast.
 - See ballast submittal for specifications, limitations, and correct catalog number logic. Ballast type and wattage must match lamp type and wattage.
 - BM6-E-MH-39-120 mount option not available with WM5B.
 - Specifications, certifications, and ordering information are subject to change. Please check website for latest specification sheets.

Example: **WM5A - BL - C2 - MO15 - 33 - L1 - F2 - 0 - Ballast Catalog String**