



**MR16 Dual Wall Mount MODEL WM9**  
120/277V, 100W Max. total both lamps, Dual MR16 Halogens

**Specifications:**

**Material:** Available in machined 6061-T6 aluminum or C36000 brass.

**Cap:** Machined caps come in three styles, lock in place with one 18-8 stainless steel set screw, and are sealed to the body with a high temperature silicone O-ring. Regressed caps have drain holes for water drainage from top of lens. All caps accept up to three internal accessories, held in place by a stainless steel clip.

**Mount Canopy:** Available with the following mount options: MO3 (Machined Round Canopy), MO15 (Machined Square Canopy), and MO12 & MO13 (Surface Mount Canopies). Stem is permanently attached to the mount canopy to prevent loosening. MO3 & MO15 mount options come mounted to a steel universal mounting ring for ease of mounting and adjustment on an industry standard round junction box (box and hardware not supplied). See mount specification sheets for more information. (Mount canopy must be mounted to an appropriate wall or junction box, in such a manner that is capable of holding the weight of the fixture. Junction box and hardware not included).

**Electrical:** Includes integral 75VA, 12V output, magnetic transformers with 120V or 277V, 60Hz input.

**Finish:** TGIC thermo set polyester powder coat paint available in 14 standard colors. On aluminum model, finish is applied over a corrosion resistant chromate conversion coating. Aluminum model available in one additional metal finish:

Clear Anodized. Brass model available in three additional metal finishes: Natural, Polished, and Aged.

**Socket:** Two GY-6.35 porcelain sockets with 600V, 250°C, PTFE coated 18 ga leads.

**Lamp:** Two 12 Volt Bi-pin MR16 halogens. (See **Certification** heading for any wattage limitations.)

**Lens:** Each cap contains a tempered, clear lens, secured with a high temperature, UV curing, silicone adhesive.

**Certification:** CSA tested & certified to US and Canadian safety standards for wet location wall mount use (UL1598):

MO12 and MO13 Mount Options

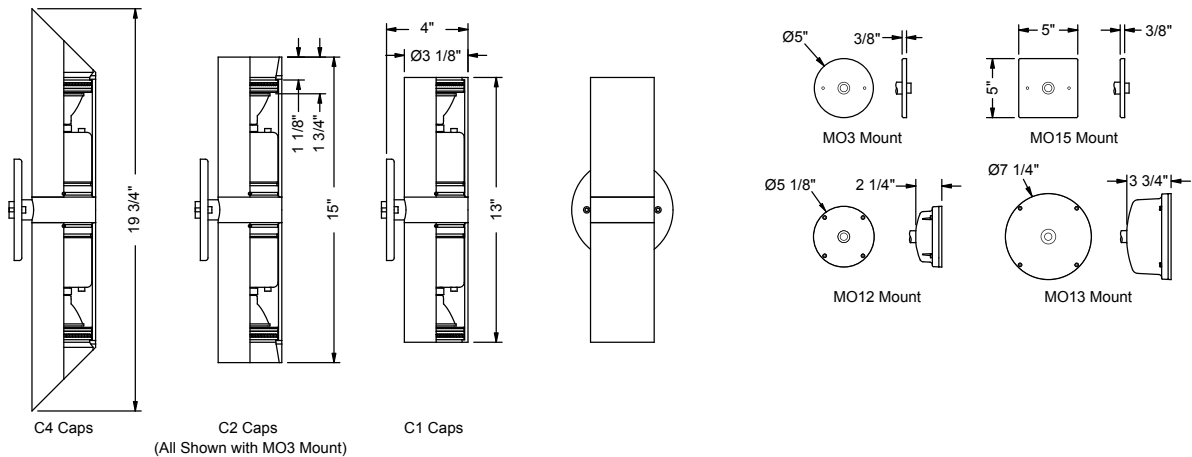
**WM9A - 100W Max. total both lamps, MR16 Halogen.**

**WM9B - 100W Max. total both lamps, MR16 Halogen.**

MO3 and MO15 Mount Options

**WM9A - 100W Max. total both lamps, MR16 Halogen.**

**WM9B - 55W Max. total both lamps, MR16 Halogen.**



**Ordering Information:**

Model	Finish	Cap Style <sup>2</sup> (Up/Down)	Mount <sup>1</sup>	Transformer Input Voltage	Lamp <sup>2,3,4</sup> (Up/Down)	Lens Accy <sup>2,4</sup> (Up/Down)	Filter <sup>2,4</sup> (Up/Down)	Louver <sup>2</sup> (Up/Down)
WM9A - Aluminum	BL - Black	C1 - Flush	MO3 - Round Canopy	120 - 120 Volt Input	0 - None	0 - None	F4 - Green	0 - None
WM9B - Brass	BLT - Textured Black	C2 - Regress Lens	MO15 - Square Canopy	277 - 277 Volt Input	<b>MR16 Halogen:</b>	L1 - Spread Lens	F1 - Red	F5 - Amber
	BN - Bronze	C4 - 45° Angled	MO12 - Surface Mount Canopy		01 - ESX, 20W, 12° Narrow Spot	L2 - Linear Lens	F2 - Blue	F6 - Pink
	BNT - Textured Bronze		MO13 - Surface Mount Canopy		02 - BAB, 20W, 40° Flood	L3 - Softening Lens	F3 - Light Blue	H1 - Honeycomb Louver
	BAT - Textured Bark				03 - FRB, 35W, 12° Narrow Spot			
	WI - White				04 - FRA, 35W, 23° Narrow Flood			
	GRT - Textured Green				05 - FMW, 35W, 40° Flood			
	SI - Silver				06 - EYR, 42W, 12° Narrow Spot			
	GY - Grey				07 - EYS, 42W, 25° Narrow Flood			
	BE - Beige				08 - EYP, 42W, 40° Flood			
	GNT - Textured Granite				09 - EXT, 50W, 13° Narrow Spot			
	SAT - Textured Sand				10 - EXZ, 50W, 26° Narrow Flood			
	PAT - Textured Patina				11 - EXN, 50W, 40° Flood			
	EAT - Textured Earth				12 - FNV, 50W, 60° Wide Flood			
	CLA - Clear Anodized (WM9A only)				13 - EYF, 75W, 13° Narrow Spot			
	NAT - Natural (WM9B only)				14 - EYJ, 75W, 26° Narrow Flood			
	POL - Polished (WM9B only)				15 - EYC, 75W, 44° Flood			
	AGE - Aged (WM9B only)							

- Notes:**
1. See MO3, MO12, MO13, or MO15 specification sheet for mount details.
  2. Specify Cap, Lamp, Lens Accy, Filter, and Louver options for the up and down position. See ordering example below.
  3. Allowable wattage depends on model and mount. See **Certification** heading.
  4. LED lamps available separately. Contact your Vision3 lighting CSR. ('Lens Accy' & 'Filter' options should not be used with LED lamps.)
  5. Specifications, certifications, and ordering information are subject to change. Please check website for latest specification sheets.

Example: **WM9A - CLA - C1/C2 - MO15 - 120 - 07/01 - L1/0 - 0/0 - H1/0**