

### Installation Instructions

#### INSTRUCTIONS PERTAINING TO A RISK OF FIRE, OR INJURY TO PERSONS. IMPORTANT SAFETY INSTRUCTIONS. SAVE THESE INSTRUCTIONS

#### Warning! To reduce the risk of FIRE OR INJURY TO PERSONS:

1. Do not touch luminaire while lamp is on. Turn off/unplug and allow to cool before replacing lamp.
2. Lamp gets HOT quickly! Contact only switch/plug when turning on.
3. Do not touch hot lens, body, or cap.
4. Keep lamp away from materials that may burn.
5. Do not touch lamp at any time. Use a soft cloth. Oil from your skin may damage lamp.
6. Do not operate the luminaire with damaged or missing parts.
7. Do not disassemble luminaire beyond cap removal to facilitate lamp and/or accessory installation or replacement.
8. Remove any debris accumulated in the cap periodically.
9. Do not install luminaire within 10 feet of a pool, spa, or fountain.
10. Have fixture installed in accordance with all applicable installation codes and standards by a person familiar with the construction and operation of the fixture and the hazards involved.
11. Consult a qualified electrician to ensure correct branch circuit conductor.
12. Use only cable rated for proper voltage.

#### Installation

Note: The instructions below are for mounting WM9 models with flat plate canopy options, such as the MO3 (shown) or MO15. For models with surface mount canopy options (MO12 or MO13 mounts) refer to the mounts installation instruction for information specific to that mount. All instructions below concerning wiring, box mounting, and safety cable still apply.

1. Unpack the WM9 MR16 Wall Mount from its shipping container and inspect. Some WM9's are specified with different lens/lamp/cap options for the up and down position, so verify the options and fixture orientation before installation.
2. Install and wire the Outlet Box (not included) per applicable standards and codes. Note: WM9 models must be used with a 4" Sheet Metal Outlet Box that is flush mounted to a cross brace using lag screws in such a way that it will hold the weight of the fixture, as shown in the sketch below. A 9/32" clearance hole for the Cable Lag Screw should also be drilled in the back of the box before mounting, if one does not already exist.
3. (MO3 & MO15 mounts only) The Universal Mounting Ring must be removed before the luminaire can be mounted to the Outlet Box. Unscrew the two (2) Mount Screws with a 5/32" hex wrench to remove the Universal Mounting Ring.
4. (MO3 & MO15 mounts only) Mount the Universal Mounting Ring to the Outlet Box using appropriately sized Mounting Ring Screws (not supplied). Note: adjust the Universal Mounting Ring so the fixture will be properly oriented when mounted.
5. Use the Cable Lag Screw to mount the Safety Cable to the Cross Brace. Use clearance hole in 4" box mentioned in step 2 above. Note: Safety cable must be lagged to a solid cross brace or stud, as shown.
6. Connect the fixture leads to the power supply wires using appropriate connectors (not supplied) per applicable codes. There are two sets of labeled leads exiting the WM9. The leads may be wired to different circuits for individual control, or wired in parallel to the same circuit. Note: Be sure power being supplied matches requirements on Label. Make sure that there is enough slack in the wiring so that the fixture can hang from the safety cable without stressing the wires.
7. (MO3 & MO15 mounts only) Using the supplied Mount Screws, and a 5/32" hex wrench, mount the WM9 to the Universal Mounting Ring.
8. (MO3 & MO15 mounts only) If the WM9 is not oriented correctly, remove, adjust the Universal Mounting Ring, and re-install.

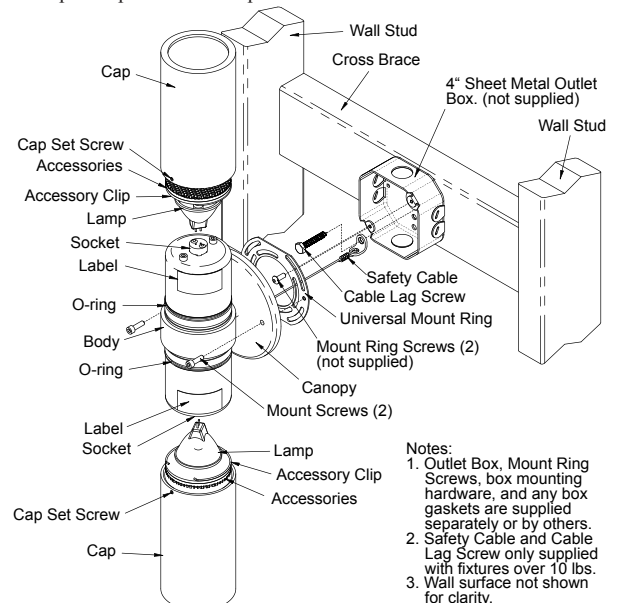
#### Lamp Maintenance

1. Remove power from fixture and let cool before touching. **Caution! Luminaire may still be hot!**
2. Loosen the Cap Set Screw using a 3/32" hex tool – do not remove screw!
3. Remove the Cap. Twisting the Cap while removing reduces the risk of damaging the O-ring.
4. Pull Lamp straight out of Socket. **Caution! Lamp may still be hot! Be sure lamp has cooled before touching.**

5. Clean inside of fixture and cap with a clean dry cloth.
6. Inspect Socket for any damage.
7. Inspect O-ring for damage or dirt. Replace or clean if necessary.
8. Using a soft, clean cloth to hold new Lamp, push straight in to Socket, being careful not to bend pins. Note: Replacement lamp must not exceed ratings of the luminaire. Read the Label for appropriate lamp type and ratings.
9. Install Cap by pushing and twisting slowly. If O-ring is excessively dry, use a small amount of Krytox lubricant
10. Tighten Cap Set Screw with the 3/32" hex tool so that it is just bottoms out. Do not over tighten the Cap Set Screw! This may cause the fixture to not seal properly.

#### Accessory Maintenance

1. Remove Cap as explained in Lamp Maintenance above.
2. Remove Accessory Clip from Cap.
3. Carefully remove Accessories.
4. Inspect Cap, Accessories, and Accessory Clip for damage. Replace if necessary.
5. Clean Cap and Accessories with a clean, damp cotton cloth.
6. Carefully install new Accessories (Cap may hold up to 3 Accessories).
7. Compress Accessory Clip and push into Cap until it holds Accessories tightly.
8. Install Cap as explained in Lamp Maintenance above.



- Notes:
1. Outlet Box, Mount Ring Screws, box mounting hardware, and any box gaskets are supplied separately or by others.
  2. Safety Cable and Cable Lag Screw only supplied with fixtures over 10 lbs.
  3. Wall surface not shown for clarity.