

Installation Instructions

INSTRUCTIONS PERTAINING TO A RISK OF FIRE, OR INJURY TO PERSONS. IMPORTANT SAFETY INSTRUCTIONS. SAVE THESE INSTRUCTIONS

Warning! To reduce the risk of FIRE OR INJURY TO PERSONS:

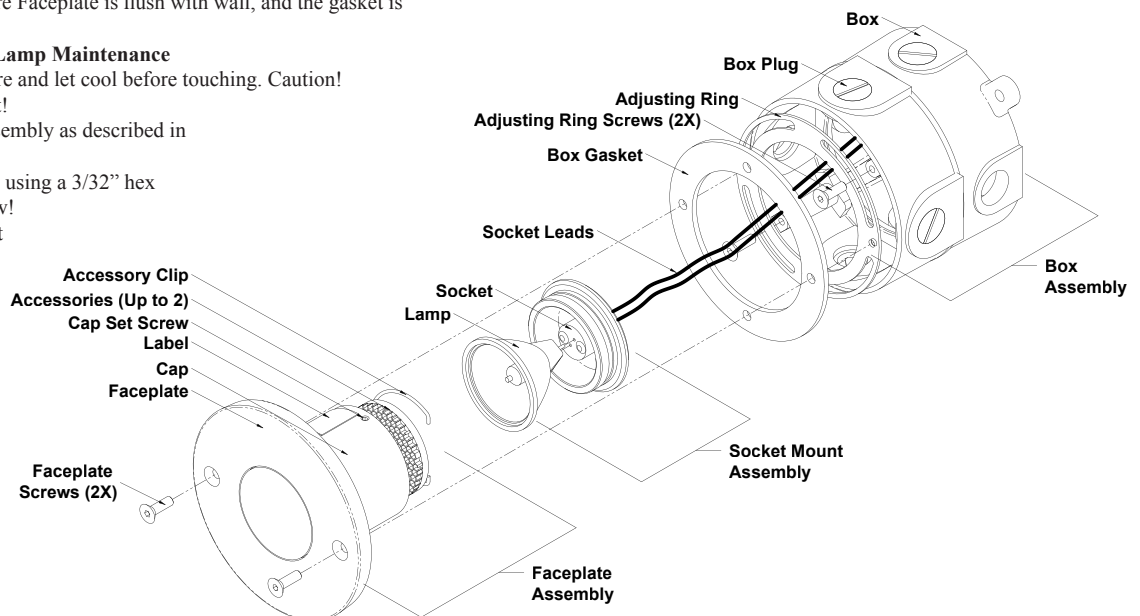
- Do not touch luminaire while lamp is on. Turn off/unplug and allow to cool before replacing lamp.
- Lamp gets HOT quickly! Contact only switch/plug when turning on. Do not touch hot lens, faceplate, or cover.
- Keep lamp away from materials that may burn.
- Do not touch lamp at any time. Use a soft cloth. Oil from your skin may damage lamp.
- Do not operate the luminaire with damaged or missing parts.
- Do not disassemble luminaire beyond cover/faceplate removal to facilitate lamp and/or accessory installation or replacement.
- Remove any debris accumulated in the cap, and/or clean lens periodically.
- Do not install luminaire within 10 feet of a pool, spa, or fountain.
- Have fixture installed in accordance with all applicable installation codes and standards by a person familiar with the construction and operation of the fixture and the hazards involved.
- Consult a qualified electrician to ensure correct branch circuit conductor. **NOTE: Supply conductors in box must be rated for at least 105°C.**

Installation

- Loosen the Faceplate Screws (2X) with a 1/8" Hex tool and remove the Faceplate Assembly from the Box Assembly. Note: The Socket Mount Assembly will be attached to the Faceplate Assembly.
- Mount the Box Assembly in the wall, per applicable building codes, so that the front face of the box is flush with the wall. Note: This fixture is not intended for use with combustible surfaces or thermal insulation contact.
- Run conduit and appropriate supply conductors to the Box Assembly, per applicable standards. Note: Supply conductors in box must be rated for at least 105°C.
- Connect the socket leads to the supply conductors using the appropriate connectors per applicable codes (make sure socket leads pass through center opening in the Box Gasket). Note: Be sure rating on the luminaire Label matches the power being supplied.
- If required, install lamp and accessories as described below.
- Slip the Box Gasket over the Cap until it is flush with the back of the faceplate. Align the Box Gasket holes with the Faceplate holes.
- Insert the Faceplate Assembly in to the Box Assembly until the Faceplate meets the wall and the Box Gasket is uniformly compressed. Note: Make sure the wiring is not kinked or pinched in any way.
- Use the Faceplate Screws (2X) to attach the Faceplate Assembly to the Box Assembly. Note: Make sure Faceplate is flush with wall, and the gasket is not pinched.

Lamp Maintenance

- Remove power from fixture and let cool before touching. Caution! Luminaire may still be hot!
- Remove the Faceplate Assembly as described in 'Installation' above.
- Loosen the Cap Set Screw using a 3/32" hex tool – do not remove screw!
- Remove the Socket Mount Assembly from the Cap.
- Pull lamp straight out of Socket. Caution! Lamp may still be hot! Be sure lamp has cooled before touching.
- Inspect Socket for any damage.
- Align pins on the new lamp with holes in Socket and push straight in. Note: Read Label for appropriate lamp type and ratings.
- Re-install Socket



Mount Assembly in to Cap.

- Tighten Cap Set Screw with the 3/32" hex tool so that it is just bottoms out.
- Install Faceplate as described in 'Installation' above.

Accessory Maintenance

- Remove power from fixture and let cool before touching. Caution! Luminaire may still be hot!
- Remove the Cover Assembly as described in 'Installation' above.
- Loosen the Cap Set Screw using a 3/32" hex tool – do not remove screw!
- Remove the Socket Mount Assembly from the Cap.
- Remove Accessory Clip from Cap.
- Carefully remove Accessory from cap, if any.
- Inspect Cap, Accessory, and Clip for damage. Replace if necessary.
- Clean Cap and Accessory with a clean, damp cotton cloth.
- Carefully install new Accessory into Cap.
- Compress Clip and push into Cap until it holds Accessory tightly in Cap.
- Re-install Socket Mount Assembly in to Cap.
- Tighten Cap Set Screw with the 3/32" hex tool so that it is just bottoms out.
- Install Faceplate as described in 'Installation' above.