



PAR30/PAR38 Metal Halide Wall Mount **MODEL WM14**

70 Watt Max., PAR30 Metal Halide  
150 Watt Max., PAR38 Metal Halide

**Specifications:**

**Material:** Available in machined 6061-T6 aluminum.

**Cap:** Machined 6061-T6 aluminum cap mounts with five 18-8 stainless steel captive fasteners, and seals by compressing a molded high temperature black silicone gasket around the lens and against the body. Up to two lens accessories can be used, and are held in the molded silicone lens gasket.

**Mount Canopy:** Available with the following mount options: MO3 (Machined Round Canopy), MO15 (Machined Square Canopy), MO12 & MO13 (Surface Mount Powered Canopies), and BM5 & BM6 (Surface Mount Ballast Canopies). Stem is permanently attached to the mount canopy to prevent loosening. MO3 & MO15 mount options come mounted to a steel universal mounting ring for ease of mounting and adjustment on an industry standard round junction box (box and hardware not supplied). See mount specification sheets for more information. (Mount canopy must be mounted to an appropriate wall or junction box, in such a manner that is capable of holding the weight of the fixture. Junction box and hardware not included).

**Finish:** TGIC thermo set polyester powder coat paint available in 14 standard colors, applied over a corrosion resistant chromate conversion coating. Available in one additional metal finish: Clear Anodized.

**Socket:** Medium Base Porcelain Lamp holder with copper alloy, nickel-plated screw shell and center contact, and 600V, 250° C, PTFE coated 18 ga leads.

**Lamp:** Medium base PAR30 and PAR38 Metal Halide lamps. (Remote ballast is required, except with BM and BM6 mount option).

**Lens:** Tempered, 1/4" thick, stepped lens allows for flush mounting.

**Certification:** CSA tested & certified to US and Canadian safety standards for the following wet location wall mount applications:

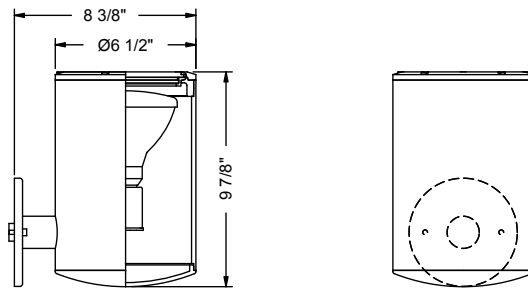
MO3, MO12, MO13, MO15, and BM5 mount options:

**WM14A - 70W Max. PAR30 Metal Halide lamp.**

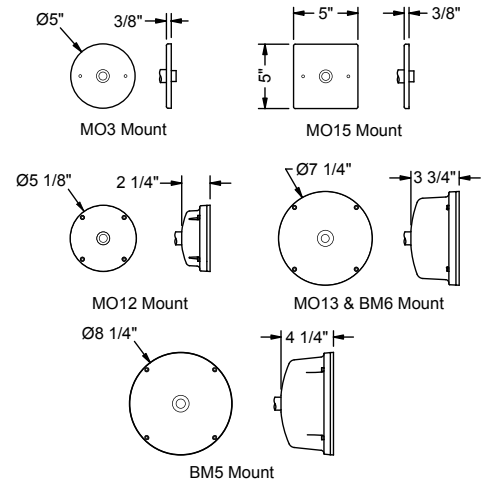
**WM14A - 150W Max. PAR38 Metal Halide lamp.**

BM6 mount options:

**WM14A - 39W Max. PAR30 Metal Halide lamp.**



(Shown with MO3 Mount)



**Ordering Information:**

WM14A							
Model	Finish	Mount <sup>1</sup>	Lamp	Lens Accy <sup>4</sup>	Filter <sup>4</sup>	Louver <sup>4</sup>	Remote Ballast Catalog String
WM14A - Aluminum	BL - Black	MO3 - Round Canopy	0 - None	0 - None	0 - None	0 - None	Fixture must be specified with one of the following remote ballasts, unless specified with a BM5 or BM6 mount option <sup>2</sup> :  BM3 - In Ground Remote Ballast <sup>2,3</sup> BM4 - Wall Mount Remote Ballast <sup>2,3</sup>
	BLT - Textured Black	MO15 - Square Canopy	PAR30 Metal Halide	L1 - Spread Lens	F1 - Red	H1 - Honeycomb Louver	
	BN - Bronze	MO12 - Surface Mount Canopy	48 - 39W, 10° Spot	L2 - Linear Lens	F2 - Blue		
	BNT - Textured Bronze	MO13 - Surface Mount Canopy	49 - 39W, 30° Flood	L3 - Softening Lens	F3 - Light Blue		
	BAT - Textured Bark	BM6-M-MH-39 - Surface Mount Canopy w/ 39W, multi-tap magnetic ballast <sup>2</sup>	50 - 70W, 10° Spot		F4 - Green		
	WI - White	BM6-E-MH-39-120 - Surface Mount Canopy w/ 39W, 120V electronic ballast <sup>2</sup>	51 - 70W, 40° Flood		F5 - Amber		
	GRT - Textured Green	BM5-M-MH-70 - Surface Mount Canopy w/ 70W, multi-tap magnetic ballast <sup>2</sup>	52 - 70W, 15° Spot		F6 - Pink		
	SI - Silver		53 - 70W, 25° Flood				
	GY - Grey		54 - 70W, 65° Wide Flood				
	BE - Beige		55 - 100W, 15° Spot				
	GNT - Textured Granite	BM5-M-MH-100 - Surface Mount Canopy w/ 100W, multi-tap magnetic ballast <sup>2</sup>	56 - 100W, 25° Flood				
	SAT - Textured Sand		57 - 100W, 65° Wide Flood				
	PAT - Textured Patina	BM5-M-MH-150 - Surface Mount Canopy w/ 150W, multi-tap magnetic ballast <sup>2</sup>	58 - 150W, 20° Spot				
	EAT - Textured Earth		59 - 150W, 35° Flood				
	CLA - Clear Anodized		60 - 150W, 65° Wide Flood				

**Notes:**

- See MO3, MO12, MO13, MO15, BM5, or BM6 specification sheet for mount details.
- If WM14 is specified with a BM5 or BM6 style mount option, a remote ballast does not need to be specified, as the BM5 and BM6 come with an integral ballast (lamp wattage must match ballast wattage).
- See ballast submittal for specifications, limitations, and correct catalog number logic. Ballast type and wattage must match lamp type and wattage.
- Only two lens options may be specified.
- Specifications, certifications, and ordering information are subject to change. Please check website for latest specification sheets.

Example: **WM14A - SI - MO15 - 48 - L1 - F2 - 0 - Ballast Catalog String**