



PAR30/PAR38 Metal Halide Wall Mount **MODEL WM16**

150W Max. each lamp, Dual PAR30/PAR38 Metal Halides

Specifications:

Material: Available in machined 6061-T6 aluminum.

Caps: Machined 6061-T6 aluminum caps mount with 18-8 stainless steel captive fasteners, and seal by compressing molded high temperature black silicone gaskets around the lenses and against the body. Up to two lens accessories can be used in each cap, and are held in the molded silicone lens gaskets.

Mount Canopy: Available with the following mount options: MO3 (Machined Round Canopy), MO15 (Machined Square Canopy), and MO12 & MO13 (Surface Mount Powered Canopies). Stem is permanently attached to the mount canopy to prevent loosening. MO3 & MO15 mount options come mounted to a steel universal mounting ring for ease of mounting and adjustment on an industry standard round junction box (box and hardware not supplied). See mount specification sheets for more information. (Mount canopy must be mounted to an appropriate wall or junction box, in such a manner that is capable of holding the weight of the fixture. Junction box and hardware not included).

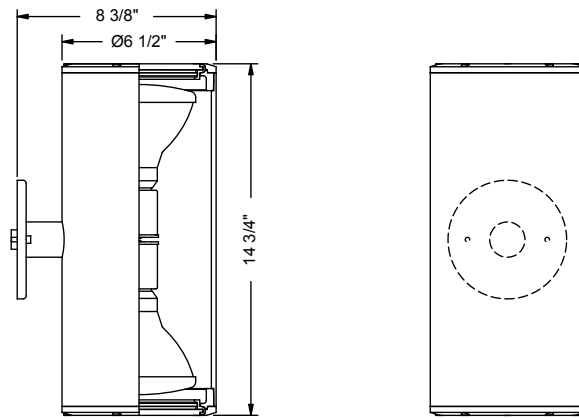
Finish: TGIC thermo set polyester powder coat paint available in 14 standard colors, applied over a corrosion resistant chromate conversion coating. Available in one additional metal finish: Clear Anodized.

Socket: Two medium base porcelain lamp holders with copper alloy, nickel-plated screw shell and center contact, and 600V, 250° C, PTFE coated 18 ga leads.

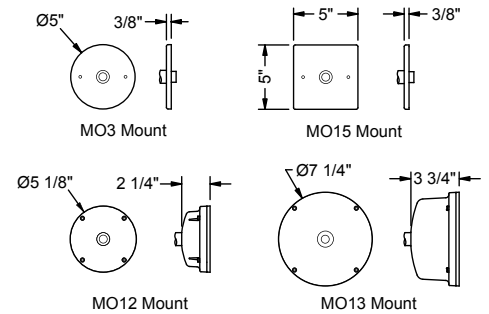
Lamp: Medium base PAR30 and PAR38 Metal Halide lamps. (A remote ballast is required for each lamp.)

Lens: Tempered, 1/4" thick, stepped lenses allow for flush mounting.

Certification: CSA tested & certified to US and Canadian safety standards for wet location wall mount use (UL1598).



(Shown with MO3 Mount)



Ordering Information:

WM16A							
Model	Finish	Mount ¹	Lamp ³	Lens Accy ^{3,4}	Filter ^{3,4}	Louver ^{3,4}	Remote Ballast Catalog String
WM16A - Aluminum	BL - Black BLT - Textured Black BN - Bronze BNT - Textured Bronze BAT - Textured Bark WI - White GRT - Textured Green SI - Silver GY - Grey BE - Beige GNT - Textured Granite SAT - Textured Sand PAT - Textured Patina EAT - Textured Earth CLA - Clear Anodized	MO3 - Round Canopy MO15 - Square Canopy MO12 - Surface Mount Canopy MO13 - Surface Mount Canopy	PAR30 Metal Halide 48 - 39W, 10° Spot 49 - 39W, 30° Flood 50 - 70W, 10° Spot 51 - 70W, 40° Flood PAR38 Metal Halide 52 - 70W, 15° Spot 53 - 70W, 25° Flood 54 - 70W, 65° Wide Flood 55 - 100W, 15° Spot 56 - 100W, 25° Flood 57 - 100W, 65° Wide Flood 58 - 150W, 20° Spot 59 - 150W, 35° Flood 60 - 150W, 65° Wide Flood	0 - None L1 - Spread Lens L2 - Linear Lens L3 - Softening Lens	0 - None F1 - Red F2 - Blue F3 - Light Blue F4 - Green F5 - Amber F6 - Pink	0 - None H1 - Honeycomb Louver	Fixture must be specified with one of the following remote ballasts: BM3 - In Ground Remote Ballast (2 req'd) ² BM4 - Wall Mount Remote Ballast (2 req'd) ²

- Notes:**
- See MO3, MO12, MO13, or MO15 specification sheet for mount details.
 - See ballast submittal for specifications, limitations, and correct catalog number logic. Ballast type and wattage must match lamp type and wattage.
 - Specify Lamp, Lens Accy, Filter, and Louver options for the up and down position. See ordering example below.
 - Only two lens options may be specified for each cap.
 - Specifications, certifications, and ordering information are subject to change. Please check website for latest specification sheets.

Example: **WM16A - SI - MO15 - 48/52 - 0/L1 - F2/0 - H1/H1 - Ballast Catalog String**