

CONSTRUCTION

- A** Housing - Consists of laser cut aluminium sheets folded and welded together to form an hexagonal shaped structure. Cast aluminium parts finishes the top and bottom of the housing. The top is hinged, includes six lenses and provides easy access to the lamp.
- B** Holder - Made of one piece moulded aluminium, fits on a Ø3" (76 mm) tenon or a Ø4" (102 mm) and is fixed by six stainless steel set screws.

OPTICS

- C** Lenses - Six rectangular shaped lenses made of frosted clear UV stabilized acrylic. White acrylic lenses are available in option.

ELECTRICAL COMPONENTS

- D** Ballast - Easily accessible, the ballast is mounted on a removable heavy gauge galvanized steel tray, is equipped with a quick disconnect wiring system and is factory pre wired and tested. It has a high power-factor of 90% or more and is either CWA, CWI, HX, or reactor type. All electrical components are CSA and UL approved.
- Socket - Made of porcelain, medium base and 4KV pulse rated (lamp not included).

FINISH

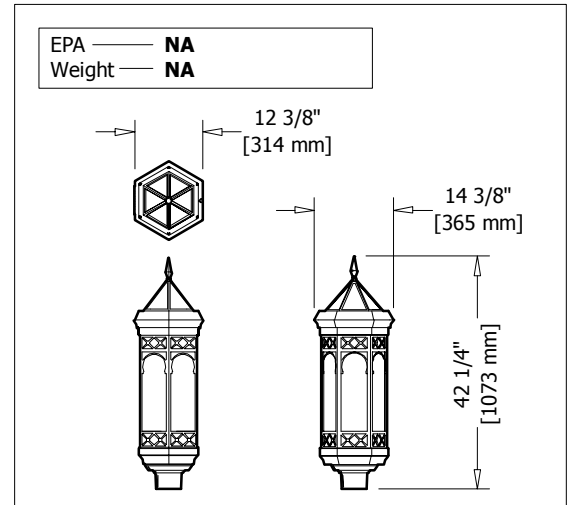
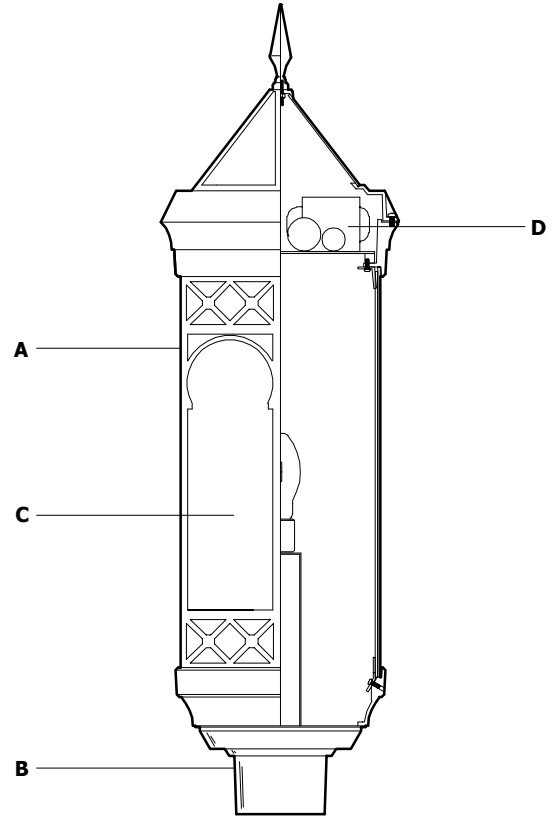
- All surfaces are chemically treated against corrosion through a multi-stage immersion process. The polyester powder finish is applied by a thermostatic process offering an excellent protection conforming to ASTM G7, D-2247 and B-117/D-1654 standards. Standard colours are black, bronze and white with a textured finish. Consult SDL's "Colour Selection Guide" for others.

HARDWARE

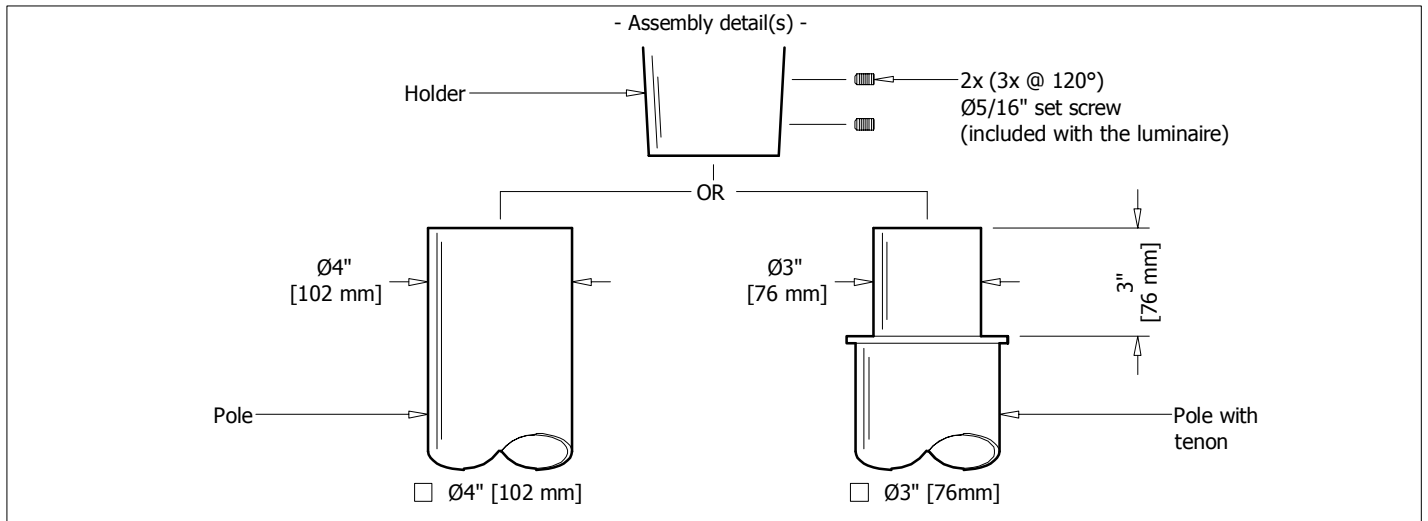
- All exterior hardware is made of stainless steel.

WARRANTY

- This product has a three year warranty on the finish and against any manufacturing defect. The ballast and its components are covered by the manufacturer's warranty.



Type	Quantity	Model	Distribution	Wattage	Voltage	Colour	Other components
<input type="text"/>	<input type="text"/>	<input type="text"/>	-	-	-	-	-
Submitted on _____ for <input type="checkbox"/> Information <input type="checkbox"/> Approval				Project — _____			
Socket — <input type="checkbox"/> Medium <input type="checkbox"/> Mogul <input type="checkbox"/> _____				Distributor — _____			
Other(s) — _____				Your order # — _____			
_____				Representative — _____			
_____				Our order # — _____			



- Specification guide -

Distribution	Wattage	Voltage	Colour	Other components
Symmetric S	MH 175H <input type="checkbox"/> <hr/> MH pulse start 50P <input type="checkbox"/> 70P <input type="checkbox"/> 100P <input type="checkbox"/> 125P <input type="checkbox"/> 150P <input type="checkbox"/> <hr/> HPS 70S <input type="checkbox"/> 100S <input type="checkbox"/> 150S <input type="checkbox"/> Medium socket only	120 <input type="checkbox"/> 208 <input type="checkbox"/> 240 <input type="checkbox"/> 277 <input type="checkbox"/> 347 <input type="checkbox"/>	Standard Colours Textured black _____ A11 <input type="checkbox"/> Textured bronze _____ B11 <input type="checkbox"/> Textured white _____ C11 <input type="checkbox"/> <hr/> Special Colours Textured beige _____ D11 <input type="checkbox"/> Silver _____ E10 <input type="checkbox"/> Silver charcoal _____ E20 <input type="checkbox"/> Textured grey blue _____ G11 <input type="checkbox"/> Textured blue _____ H11 <input type="checkbox"/> Textured dark blue _____ H21 <input type="checkbox"/> Textured dark turquoise _____ J11 <input type="checkbox"/> Textured turquoise _____ J21 <input type="checkbox"/> Textured forest green _____ K11 <input type="checkbox"/> Textured dark forest green _____ K21 <input type="checkbox"/> Textured dark green _____ K31 <input type="checkbox"/> Fine textured dark green _____ K42 <input type="checkbox"/> Textured red _____ M11 <input type="checkbox"/> Textured burgundy _____ M21 <input type="checkbox"/> Fine textured patina _____ X11 <input type="checkbox"/> Custom colour _____ CC ★ <input type="checkbox"/>	Optional White acrylic lens _____ WA <input type="checkbox"/>

IMPORTANT NOTICE
 Éclairage SDL inc. disclaims any responsibility for problems that could occur from a combination of third party products with those of Éclairage SDL inc.

★ Consult manufacturer

Order example	_____	3601	-	S	-	70P	-	120	-	A11	-	-
		Model		Distribution		Wattage		Voltage		Colour		Other components