

CONSTRUCTION

- A** Cap - Made of a cast aluminium part coupled to an aluminium ring which is used to secure the lens of the cap. The cap is mechanically held to the housing by set screws.
- B** Housing - Constructed with cast aluminium parts and extruded aluminium profiles.
- C** Wall support - Constructed with heavy gauge aluminium parts welded together and to housing.

OPTICS

- D** Lens - Made of one piece moulded, white and UV stabilized acrylic. The lens is seamless and has a minimum wall thickness of 1/8" (3 mm). High-strength EPDM gaskets located at each end of the lens are pressed and held in place to prevent dust from infiltrating.
- E** LED optical system - High performance LEDs coupled with integrated lenses offers a condensed vertical light flux which illuminates the tubular lens.
- E** PAR optical system - A spot type PAR-38 lamp offers a condensed vertical flux which illuminates the tubular lens.

ELECTRICAL COMPONENTS

- F** Ballast - Easily accessible, the ballast is mounted on a removable heavy gauge galvanized steel tray, is equipped with a quick disconnect wiring system and is factory pre wired and tested. The ballast is of electronic type for the LED system and CWA, HX, reactor or electronic type for the PAR system. All electrical components are UL approved for the LED system, CSA and UL approved for the PAR system.
- Socket (PAR system) - Made of porcelain, medium base and 4KV pulse rated (lamp not included).

FINISH

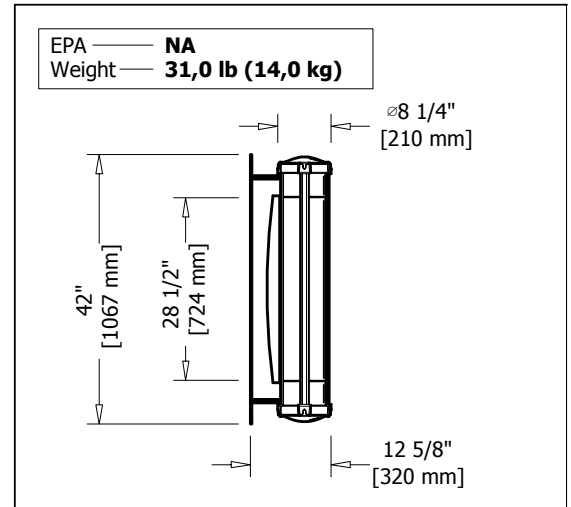
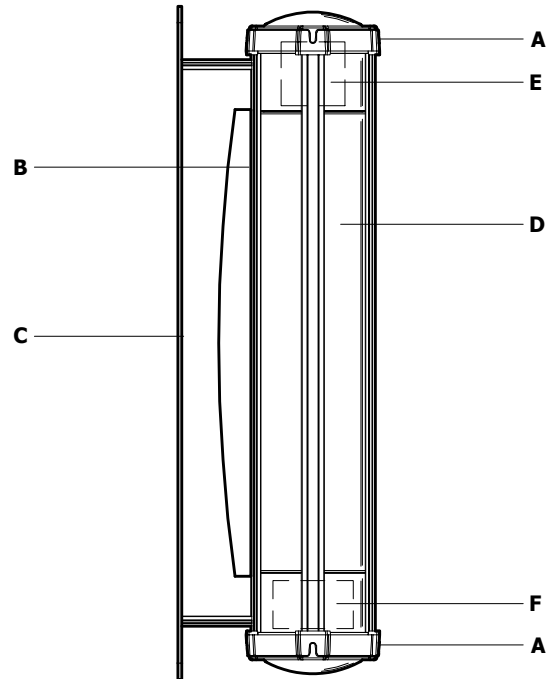
- All surfaces are chemically treated against corrosion through a multi-stage immersion process. The polyester powder finish is applied by a thermostatic process offering an excellent protection conforming to ASTM G7, D-2247 and B-117/D-1654 standards. Standard colours are black, bronze and white with a textured finish. Consult SDL's "Colour Selection Guide" for others.

HARDWARE

- All exterior hardware is made of stainless steel.

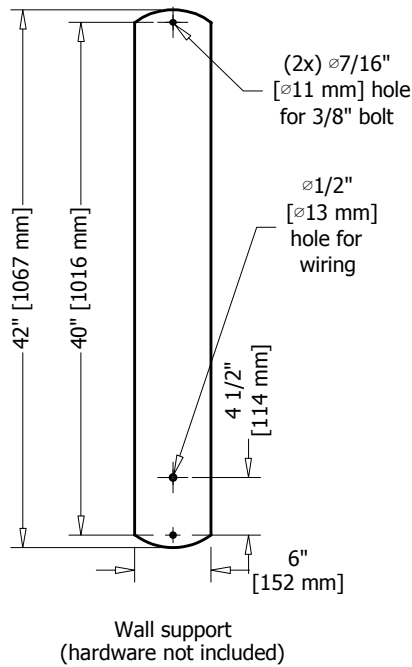
WARRANTY

- This product has a three year warranty on the finish and against any manufacturing defect. The ballast and its components are covered by the manufacturer's warranty.



Type	Quantity	Model	Distribution	Wattage	Voltage	Colour	Other components
<input type="text"/>	<input type="text"/>	<input type="text"/>	<input type="text"/>	<input type="text"/>	<input type="text"/>	<input type="text"/>	<input type="text"/>
Submitted on _____ for <input type="checkbox"/> Information <input type="checkbox"/> Approval				Project — _____			
Other(s) — <input style="width: 100%;" type="text"/>				Distributor — _____			
				Your order # — _____			
				Representative — _____			
				Our order # — _____			

- Assembly detail(s) -



Wall support
(hardware not included)

- Specification guide -

Distribution	Wattage	Voltage	Colour	Other components
Symmetric <input type="checkbox"/> S	<p>LED (Included) 6W</p> <p>Amber 6LA <input type="checkbox"/></p> <p>Blue 6LB <input type="checkbox"/></p> <p>Cyan 6LC <input type="checkbox"/></p> <p>Green 6LG <input type="checkbox"/></p> <p>Red 6LR <input type="checkbox"/></p> <p>White 6LW <input type="checkbox"/></p> <p>12W</p> <p>Amber 12LA <input type="checkbox"/></p> <p>Blue 12LB <input type="checkbox"/></p> <p>Cyan 12LC <input type="checkbox"/></p> <p>Green 12LG <input type="checkbox"/></p> <p>Red 12LR <input type="checkbox"/></p> <p>White 12LW <input type="checkbox"/></p> <p>MH pulse start</p> <p>PAR-38 70B <input type="checkbox"/></p> <p>PAR-38 100B <input type="checkbox"/></p> <p>Others <input type="checkbox"/> ★</p>	<p>LED</p> <p>120</p> <p>MH</p> <p>120 <input type="checkbox"/></p> <p>208 <input type="checkbox"/></p> <p>240 <input type="checkbox"/></p> <p>277 <input type="checkbox"/></p> <p>347 <input type="checkbox"/></p>	<p>Standard Colours</p> <p>Textured black A11 <input type="checkbox"/></p> <p>Textured bronze B11 <input type="checkbox"/></p> <p>Textured white C11 <input type="checkbox"/></p> <p>Special Colours</p> <p>Textured beige D11 <input type="checkbox"/></p> <p>Silver E10 <input type="checkbox"/></p> <p>Silver charcoal E20 <input type="checkbox"/></p> <p>Textured grey blue G11 <input type="checkbox"/></p> <p>Textured blue H11 <input type="checkbox"/></p> <p>Textured dark blue H21 <input type="checkbox"/></p> <p>Textured dark turquoise J11 <input type="checkbox"/></p> <p>Textured turquoise J21 <input type="checkbox"/></p> <p>Textured forest green K11 <input type="checkbox"/></p> <p>Textured dark forest green K21 <input type="checkbox"/></p> <p>Textured dark green K31 <input type="checkbox"/></p> <p>Fine textured dark green K42 <input type="checkbox"/></p> <p>Textured red M11 <input type="checkbox"/></p> <p>Textured burgundy M21 <input type="checkbox"/></p> <p>Fine textured patina X11 <input type="checkbox"/></p> <p>Custom colour CC ★ <input type="checkbox"/></p>	

IMPORTANT NOTICE
Éclairage SDL inc. disclaims any responsibility for problems that could occur from a combination of third party products with those of Éclairage SDL inc.

★ Consult manufacturer

Order example	EM10	-	S	-	12LR	-	120	-	A11	-	-	-	Other components
	Model		Distribution		Wattage		Voltage		Colour				