

CONSTRUCTION

- A** Finial - Made of one piece moulded aluminium.
- B** Rotative quarter turn opening system - The spring loaded rotative opening system, consisting of cast aluminium parts, offers easy and fast access to the luminaire's internal components. This system also assures weatherproofing of the luminaire due to the uniform pressure it produces on a heavy duty silicone gasket.
- C** Holder - Made of one piece moulded aluminium, fits on a Ø4" (102 mm) tenon and is fixed by three stainless steel set screws.

OPTICS

- D** Top lens - Made of one piece injection moulded polycarbonate, clear and impact resistant or of clear UV stabilized acrylic. The lens is equipped with internal prisms and is permanently joined to the bottom lens.
- E** Lens - Made of one piece injection moulded polycarbonate, clear and impact resistant or of clear UV stabilized acrylic. The lens is equipped with internal refractor prisms that optimize the photometric distribution. This lens offers a photometric distribution of IES type III or V. In option, this lens can be twinned with a high performance anodized aluminium reflector in order to increase the photometric effectiveness and/or combined with a specular aluminium deflector so as to redirect annoying light beams.

ELECTRICAL COMPONENTS

- F** Ballast - Easily accessible, the ballast is mounted on a removable heavy gauge galvanized steel tray, is equipped with a quick disconnect wiring system and is factory pre wired and tested. It has a high power-factor of 90% or more and is either CWA, CWI, HX, or reactor type. All electrical components are CSA and UL approved.
- Socket - Made of porcelain and 4KV pulse rated. For 175W or less, medium base and for 200W or more, mogul base (lamp not included).

FINISH

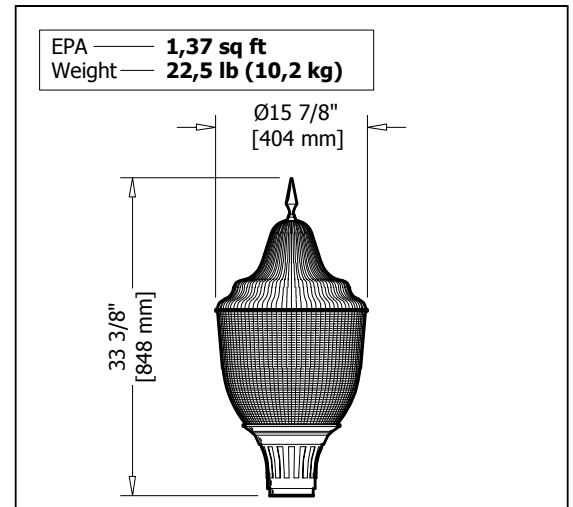
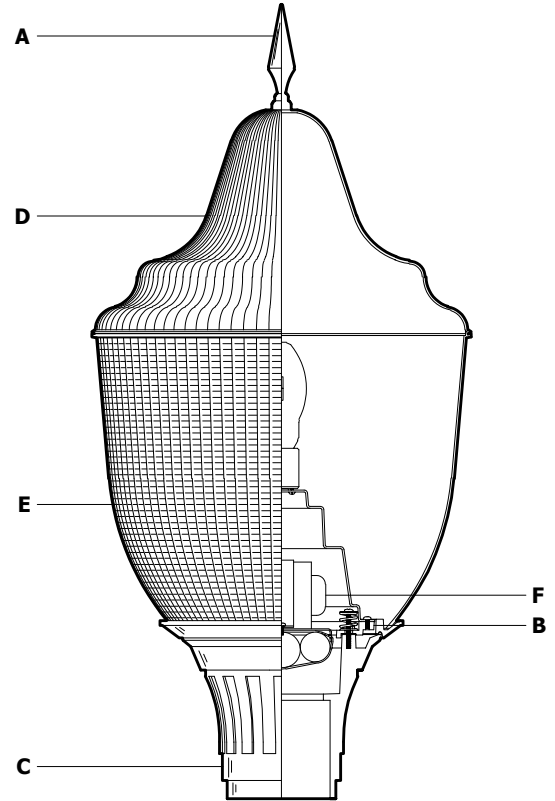
- All surfaces are chemically treated against corrosion through a multi-stage immersion process. The polyester powder finish is applied by a thermostatic process offering an excellent protection conforming to ASTM G7, D-2247 and B-117/D-1654 standards. Standard colours are black, bronze and white with a textured finish. Consult SDL's "Colour Selection Guide" for others.

HARDWARE

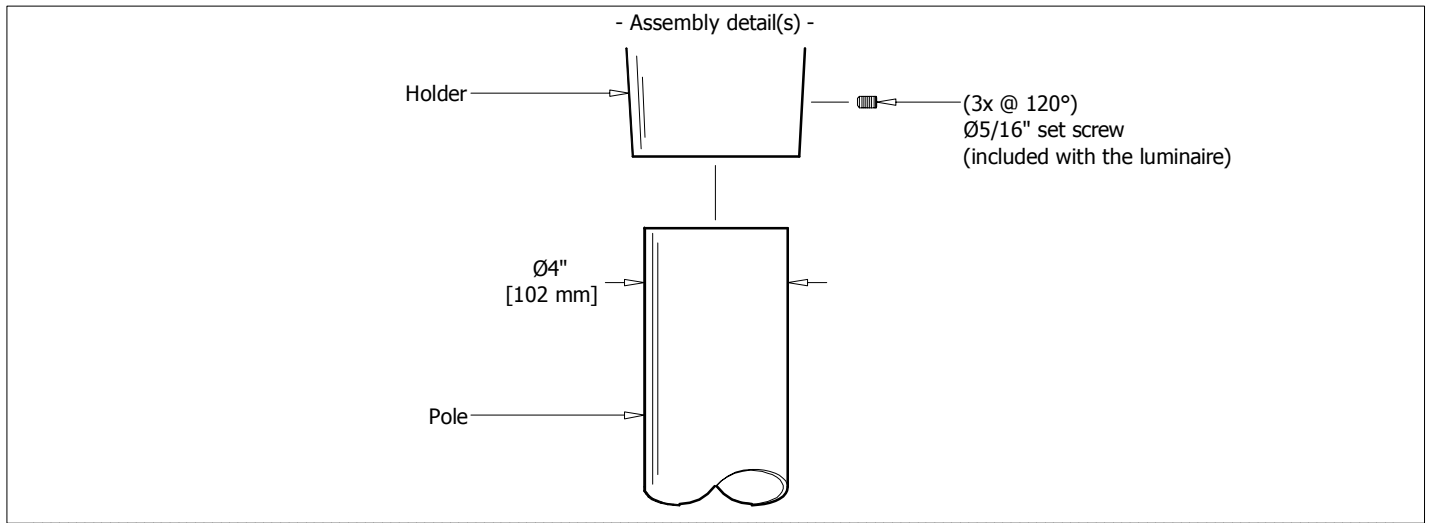
- All exterior hardware is made of stainless steel.

WARRANTY

- This product has a three year warranty on the finish and against any manufacturing defect. The ballast and its components are covered by the manufacturer's warranty.



Type	Quantity	Model	Distribution	Wattage	Voltage	Colour	Other components
<input type="text"/>	<input type="text"/>	<input type="text"/>	<input type="text"/>	<input type="text"/>	<input type="text"/>	<input type="text"/>	<input type="text"/>
Submitted on _____ for <input type="checkbox"/> Information <input type="checkbox"/> Approval				Project — _____			
Socket — <input type="checkbox"/> Medium <input type="checkbox"/> Mogul <input type="checkbox"/> _____				Distributor — _____			
Other(s) — <input style="width: 100%;" type="text"/>				Your order # — _____			
				Representative — _____			
				Our order # — _____			



- Specification guide -

IES distribution	Wattage	Voltage	Colour	Other components
<p>Refractor lens</p> <p>Type 3 — LR3 <input type="checkbox"/></p> <p>Type 5 — LR5 <input type="checkbox"/></p>	<p>MH</p> <p>175H <input type="checkbox"/></p> <p>250H ● <input type="checkbox"/></p> <hr/> <p>MH pulse start</p> <p>70P <input type="checkbox"/></p> <p>100P <input type="checkbox"/></p> <p>125P <input type="checkbox"/></p> <p>150P <input type="checkbox"/></p> <p>200P ● <input type="checkbox"/></p> <p>250P ● <input type="checkbox"/></p> <hr/> <p>HPS</p> <p>70S <input type="checkbox"/></p> <p>100S <input type="checkbox"/></p> <p>150S <input type="checkbox"/></p> <hr/> <p>Others</p> <p>★ <input type="checkbox"/></p>	<p>120 <input type="checkbox"/></p> <p>208 <input type="checkbox"/></p> <p>240 <input type="checkbox"/></p> <p>277 <input type="checkbox"/></p> <p>347 <input type="checkbox"/></p>	<p>Standard Colours</p> <p>Textured black — A11 <input type="checkbox"/></p> <p>Textured bronze — B11 <input type="checkbox"/></p> <p>Textured white — C11 <input type="checkbox"/></p> <hr/> <p>Special Colours</p> <p>Textured beige — D11 <input type="checkbox"/></p> <p>Silver — E10 <input type="checkbox"/></p> <p>Silver charcoal — E20 <input type="checkbox"/></p> <p>Textured grey blue — G11 <input type="checkbox"/></p> <p>Textured blue — H11 <input type="checkbox"/></p> <p>Textured dark blue — H21 <input type="checkbox"/></p> <p>Textured dark turquoise — J11 <input type="checkbox"/></p> <p>Textured turquoise — J21 <input type="checkbox"/></p> <p>Textured forest green — K11 <input type="checkbox"/></p> <p>Textured dark forest green — K21 <input type="checkbox"/></p> <p>Textured dark green — K31 <input type="checkbox"/></p> <p>Fine textured dark green — K42 <input type="checkbox"/></p> <p>Textured red — M11 <input type="checkbox"/></p> <p>Textured burgundy — M21 <input type="checkbox"/></p> <p>Fine textured patina — X11 <input type="checkbox"/></p> <p>Custom colour — CC ★ <input type="checkbox"/></p>	<p>Compulsory</p> <p>Acrylic lens — AC <input type="checkbox"/></p> <p>Polycarbonate lens — PC <input type="checkbox"/></p> <hr/> <p>Optional</p> <p>House side cut-off — HS <input type="checkbox"/></p> <p>High performance reflector — HR <input type="checkbox"/></p> <p>High performance reflector + high performance house side cut-off — HY <input type="checkbox"/></p>

Up to 175W:
 medium
 socket

200W and up:
 mogul
 socket

- Remote ballast
- ★ Consult manufacturer

IMPORTANT NOTICE

Éclairage SDL inc. disclaims any responsibility for problems that could occur from a combination of third party products with those of Éclairage SDL inc.

Order example — **V10L** - **LR3** - **70P** - **120** - **A11** - **AC/HS/HR**

Model Distribution Wattage Voltage Colour Other components