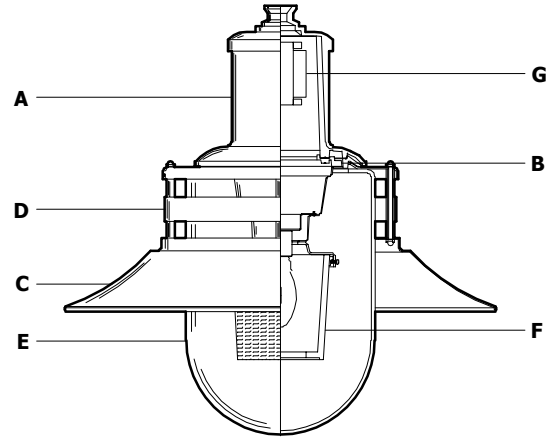


CONSTRUCTION

- A** Hat - Is used as the housing for the ballast, made of one piece moulded 356 aluminium alloy and integrates to a moulded aluminium 2-3/8" adapter fastening system which adapts to a vast range of SDL brackets. Consult the brochure "Poles and accessories" for the selection of a bracket.
- B** Rotative quarter turn opening system - The spring loaded rotative opening system, consisting of cast aluminium parts, offers easy and fast access to the luminaire's internal components. This system also assures weatherproofing of the luminaire due to the uniform pressure it produces on a heavy duty silicone gasket.
- C** Louvre - Made of one piece heavy gauge spun aluminium. The louvre's interior is painted white in order to accentuate the distribution of the luminous flux towards the ground.
- D** Cage - Consists of four aluminium tubes welded around a decorative curved aluminium band. The tubes are fixed to a heavy gauge spun aluminium tray, which in turn is welded to a moulded aluminium ring. This removable ring, firmly fixed to the hat using the rotative quarter turn system, provides easy access to the internal components.

OPTICS

- E** Lens - Made of one piece rotomoulded polycarbonate, impact resistant and frosted or one piece injection moulded polycarbonate, clear and impact resistant.
- F** Refractor - Made of prismatic borosilicate glass, supported by a spun aluminium part. To facilitate access to the ballast the refractor is mounted on a keyhole system. The refractor offers a distribution of IES type II, III, V or III with a specular aluminium cut-off to accentuate the asymmetrical distribution.
- F** Reflector - Made of one piece hydroformed specular aluminium. Allows a photometric distribution of IES type II or III.



ELECTRICAL COMPONENTS

- G** Ballast - Easily accessible, the ballast is mounted on a removable heavy gauge galvanized steel tray, is equipped with a quick disconnect wiring system and is factory pre wired and tested. It has a high power-factor of 90% or more and is either CWA, CWI, HX, or reactor type. All electrical components are CSA and UL approved.
- Socket - Made of porcelain, medium base and 4KV pulse rated (lamp not included).

FINISH

- All surfaces are chemically treated against corrosion through a multi-stage immersion process. The polyester powder finish is applied by a thermostatic process offering an excellent protection conforming to ASTM G7, D-2247 and B-117/D-1654 standards. Standard colours are black, bronze and white with a textured finish. Consult SDL's "Colour Selection Guide" for others.

OPTIONS

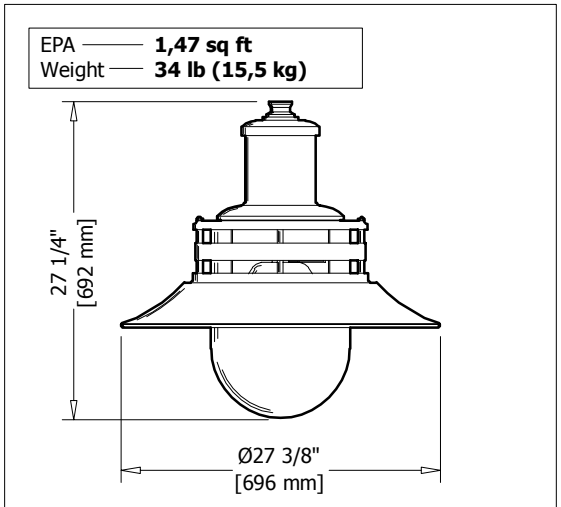
- Photoelectric cell - Integrated in a button type polymer housing. CSA and UL approved.

HARDWARE

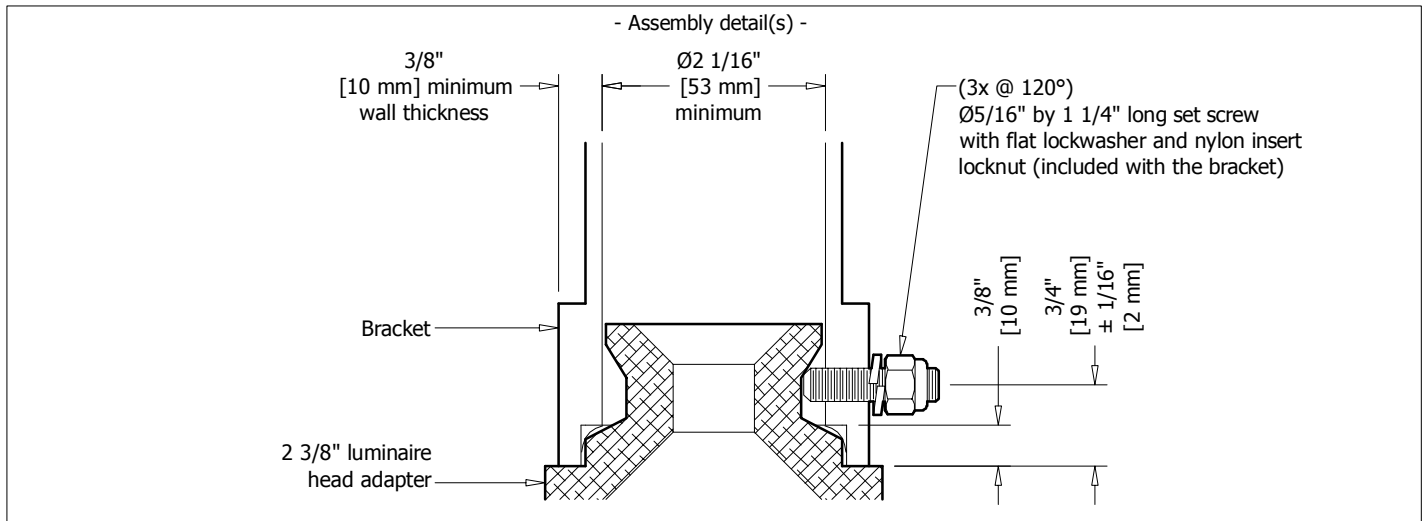
- All exterior hardware is made of stainless steel.

WARRANTY

- This product has a three year warranty on the finish and against any manufacturing defect. The ballast and its components are covered by the manufacturer's warranty.



Type	Quantity	Model	Distribution	Wattage	Voltage	Colour	Other components
<input type="text"/>	<input type="text"/>	<input type="text"/>	-	-	-	-	-
Submitted on _____ for <input type="checkbox"/> Information <input type="checkbox"/> Approval				Project — _____			
Socket — <input type="checkbox"/> Medium <input type="checkbox"/> Mogul <input type="checkbox"/> _____				Distributor — _____			
Other(s) — <input style="width: 100%;" type="text"/>				Your order # — _____			
				Representative — _____			
				Our order # — _____			



- Specification guide -

IES distribution	Wattage	Voltage	Colour	Other components
<p style="text-align: center;">Refractor</p> <p>Type 2 — GR2 <input type="checkbox"/></p> <p>Type 3 — GR3 <input type="checkbox"/></p> <p>Type 3D cut-off — GR3D <input type="checkbox"/></p> <p>Type 5 — GR5 <input type="checkbox"/></p> <hr/> <p style="text-align: center;">Reflector</p> <p>Type 2 — RD2 <input type="checkbox"/></p> <p>Type 3 — RD3 ● <input type="checkbox"/></p>	<p>MH</p> <p>175H <input type="checkbox"/></p> <hr/> <p>MH pulse start</p> <p>50P <input type="checkbox"/></p> <p>70P <input type="checkbox"/></p> <p>100P <input type="checkbox"/></p> <p>125P <input type="checkbox"/></p> <p>150P <input type="checkbox"/></p> <p>175P <input type="checkbox"/></p> <hr/> <p>HPS</p> <p>35S <input type="checkbox"/></p> <p>50S <input type="checkbox"/></p> <p>70S <input type="checkbox"/></p> <p>100S <input type="checkbox"/></p> <p>150S <input type="checkbox"/></p> <hr/> <p>Others</p> <p>★ <input type="checkbox"/></p> <p style="text-align: center;">Medium socket only</p>	<p>120 <input type="checkbox"/></p> <p>208 <input type="checkbox"/></p> <p>240 <input type="checkbox"/></p> <p>277 <input type="checkbox"/></p> <p>347 <input type="checkbox"/></p>	<p style="text-align: center;">Standard Colours</p> <p>Textured black — A11 <input type="checkbox"/></p> <p>Textured bronze — B11 <input type="checkbox"/></p> <p>Textured white — C11 <input type="checkbox"/></p> <hr/> <p style="text-align: center;">Special Colours</p> <p>Textured beige — D11 <input type="checkbox"/></p> <p>Silver — E10 <input type="checkbox"/></p> <p>Silver charcoal — E20 <input type="checkbox"/></p> <p>Textured grey blue — G11 <input type="checkbox"/></p> <p>Textured blue — H11 <input type="checkbox"/></p> <p>Textured dark blue — H21 <input type="checkbox"/></p> <p>Textured dark turquoise — J11 <input type="checkbox"/></p> <p>Textured turquoise — J21 <input type="checkbox"/></p> <p>Textured forest green — K11 <input type="checkbox"/></p> <p>Textured dark forest green — K21 <input type="checkbox"/></p> <p>Textured dark green — K31 <input type="checkbox"/></p> <p>Fine textured dark green — K42 <input type="checkbox"/></p> <p>Textured red — M11 <input type="checkbox"/></p> <p>Textured burgundy — M21 <input type="checkbox"/></p> <p>Fine textured patina — X11 <input type="checkbox"/></p> <p>Custom colour — CC ★ <input type="checkbox"/></p>	<p style="text-align: center;">Compulsory</p> <p>Clear polycarbonate lens — CP <input type="checkbox"/></p> <p>Frosted clear polycarbonate lens — FP <input type="checkbox"/></p> <hr/> <p style="text-align: center;">Optional</p> <p>Button type photoelectric cell — PB <input type="checkbox"/></p>

● Not available with 175P
★ Consult manufacturer

IMPORTANT NOTICE

Éclairage SDL inc. disclaims any responsibility for problems that could occur from a combination of third party products with those of Éclairage SDL inc.

Order example — **8210** - **RD2** - **70P** - **120** - **A11** - **FP/PB**
 Model Distribution Wattage Voltage Colour Other components