

CONSTRUCTION

- A** Housing - One main part and a decorative louvre are spun aluminium and are mechanically fixed to a central aluminium tube. This tube is welded to a moulded 356 aluminium alloy cap that integrates a fastening system. An internal plate equipped with hinges and made of steel provides access to the ballast and its electrical components. The 2-3/8" adapter fastening system adapts to a vast range of SDL brackets. Consult the brochure "Poles and accessories" for the selection of a bracket.
- B** Frame - Made of one piece moulded 356 aluminium alloy, mechanically fixed to the housing and integrates a hinge system that receives the lens frame.
- C** Lens frame - Made of one piece moulded 356 aluminium alloy and integrates a hinge system that adapts to the frame. Quick access to the lamp is made possible by loosening only one screw. A high-strength EPDM gasket ensures sealing and prevents dust from infiltrating inside the luminaire.

OPTICS

- D** Lens - Made of tempered glass, clear, flat and heat resistant. A drop lens made of one piece thermoformed polycarbonate, clear and impact resistant is also available.
- E** Reflector - Made of segmented specular aluminium for multi-image duplication of the luminous arc. Offers a photometric distribution of IES type II, III, IV or V.

ELECTRICAL COMPONENTS

- F** Ballast - Easily accessible, the ballast is mounted on a removable heavy gauge galvanized steel tray, is equipped with a quick disconnect wiring system and is factory pre wired and tested. It has a high power-factor of 90% or more and is either CWA, CWI, HX, or reactor type. All electrical components are CSA and UL approved.
- Socket - Made of porcelain and 4KV pulse rated. For 175W or less, medium base and for 200W or more, mogul base (lamp not included).

FINISH

- All surfaces are chemically treated against corrosion through a multi-stage immersion process. The polyester powder finish is applied by a thermostatic process offering an excellent protection conforming to ASTM G7, D-2247 and B-117/D-1654 standards. Standard colours are black, bronze and white with a textured finish. Consult SDL's "Colour Selection Guide" for others.

OPTIONS

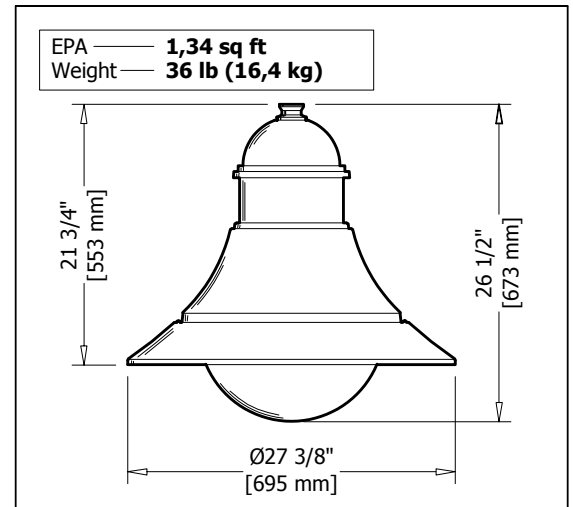
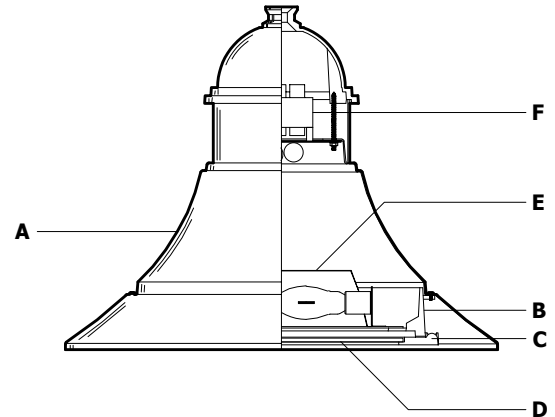
- Photoelectric cell - Integrated in a button type polymer housing. CSA and UL approved.

HARDWARE

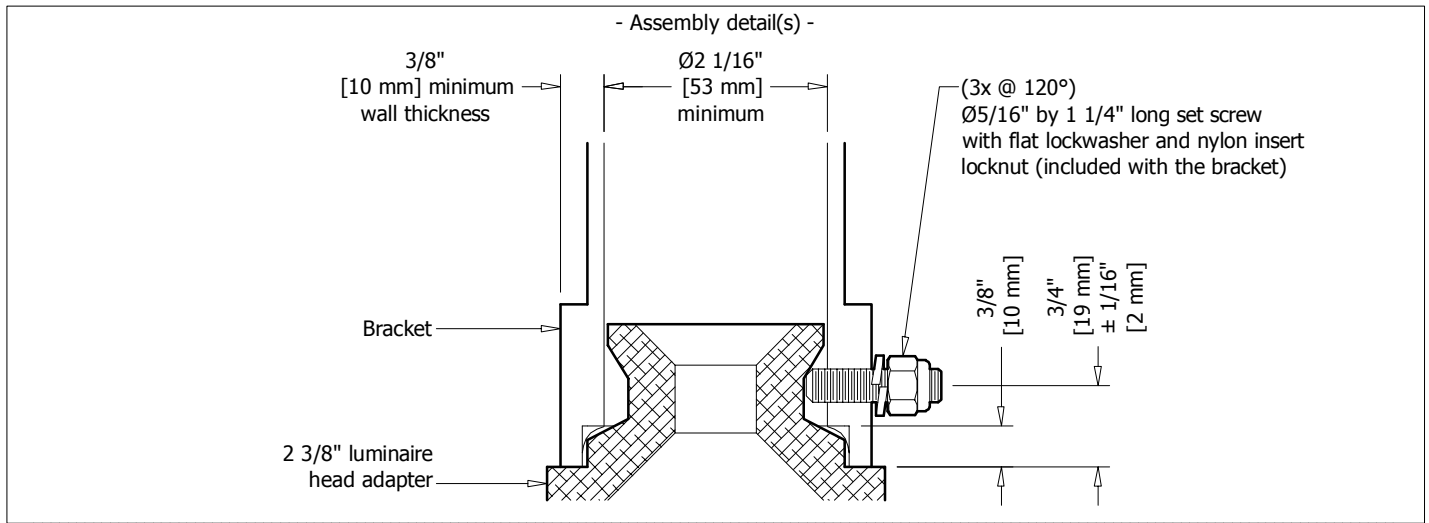
- All exterior hardware is made of stainless steel.

WARRANTY

- This product has a three year warranty on the finish and against any manufacturing defect. The ballast and its components are covered by the manufacturer's warranty.



Type	Quantity	Model	Distribution	Wattage	Voltage	Colour	Other components
<input type="text"/>	<input type="text"/>	<input type="text"/>	<input type="text"/>	<input type="text"/>	<input type="text"/>	<input type="text"/>	<input type="text"/>
Submitted on _____ for <input type="checkbox"/> Information <input type="checkbox"/> Approval				Project — _____			
Socket — <input type="checkbox"/> Medium <input type="checkbox"/> Mogul <input type="checkbox"/> _____				Distributor — _____			
Other(s) — <input type="text"/>				Your order # — _____			
				Representative — _____			
				Our order # — _____			



IES distribution	Wattage	Voltage	Colour	Other components
<p style="text-align: center;">Reflector</p> <p>Type 2 RD2 <input type="checkbox"/></p> <p>Type 3 RD3 <input type="checkbox"/></p> <p>Type 4 RD4 <input checked="" type="checkbox"/></p> <p>Type 5 RD5 <input type="checkbox"/></p>	<p style="text-align: center;">MH</p> <p>175H <input type="checkbox"/></p> <p>250H <input type="checkbox"/></p> <p style="text-align: center;">MH pulse start</p> <p>50P <input type="checkbox"/></p> <p>70P <input type="checkbox"/></p> <p>100P <input type="checkbox"/></p> <p>125P <input type="checkbox"/></p> <p>150P <input type="checkbox"/></p> <p>200P <input type="checkbox"/></p> <p>250P <input type="checkbox"/></p> <p style="text-align: center;">HPS</p> <p>35S <input type="checkbox"/></p> <p>50S <input type="checkbox"/></p> <p>70S <input type="checkbox"/></p> <p>100S <input type="checkbox"/></p> <p>150S <input type="checkbox"/></p> <p>250S <input type="checkbox"/></p> <p style="text-align: center;">Others</p> <p style="text-align: center;">★ <input type="checkbox"/></p> <p style="text-align: center;">Up to 175W: medium socket</p> <p style="text-align: center;">200W and up: mogul socket</p>	<p>120 <input type="checkbox"/></p> <p>208 <input type="checkbox"/></p> <p>240 <input type="checkbox"/></p> <p>277 <input type="checkbox"/></p> <p>347 <input type="checkbox"/></p>	<p style="text-align: center;">Standard Colours</p> <p>Textured black A11 <input type="checkbox"/></p> <p>Textured bronze B11 <input type="checkbox"/></p> <p>Textured white C11 <input type="checkbox"/></p> <p style="text-align: center;">Special Colours</p> <p>Textured beige D11 <input type="checkbox"/></p> <p>Silver E10 <input type="checkbox"/></p> <p>Silver charcoal E20 <input type="checkbox"/></p> <p>Textured grey blue G11 <input type="checkbox"/></p> <p>Textured blue H11 <input type="checkbox"/></p> <p>Textured dark blue H21 <input type="checkbox"/></p> <p>Textured dark turquoise J11 <input type="checkbox"/></p> <p>Textured turquoise J21 <input type="checkbox"/></p> <p>Textured forest green K11 <input type="checkbox"/></p> <p>Textured dark forest green K21 <input type="checkbox"/></p> <p>Textured dark green K31 <input type="checkbox"/></p> <p>Fine textured dark green K42 <input type="checkbox"/></p> <p>Textured red M11 <input type="checkbox"/></p> <p>Textured burgundy M21 <input type="checkbox"/></p> <p>Fine textured patina X11 <input type="checkbox"/></p> <p>Custom colour CC ★ <input type="checkbox"/></p>	<p style="text-align: center;">Optional</p> <p> Polycarbonate drop lens DP <input type="checkbox"/></p> <p> Button type photoelectric cell PB <input type="checkbox"/></p>

● Maximum 175 watts
 ★ Consult manufacturer

IMPORTANT NOTICE

Éclairage SDL inc. disclaims any responsibility for problems that could occur from a combination of third party products with those of Éclairage SDL inc.

Order example	7220	-	RD2	-	175H	-	120	-	A11	-	DP/PB
	Model		Distribution		Wattage		Voltage		Colour		Other components