

CONSTRUCTION

- A** Housing - Consists of a frame made of extruded aluminium and welded to the perimeter of a heavy gauge aluminium roof. An extruded aluminium hook is used to support the electrical components and to strengthen the housing. The frame of the housing includes three grooves that allow, if desired, the addition of one, two or three coloured band(s) of black, white, blue or red. An internal plate equipped with hinges and made of steel provides access to the ballast and its electrical components.
- B** Lens frame - Built of extruded aluminium parts and equipped with an integrated hinge. A high-strength EPDM gasket ensures sealing of the luminaire and prevents dust from infiltrating.
- C** Mounting arm - Made of a 4" by 4" (102 mm by 102 mm) heavy gauge aluminium extrusion with a square section. The arm includes two internal hollow grooves that support two Ø1/2" (13 mm) support threaded rods made of zinc plated steel.

OPTICS

- D** Lens - Made of tempered glass, clear, flat and heat resistant.
- E** Reflector - Made of segmented specular aluminium for multi-image duplication of the luminous arc. Offers a photometric distribution of IES type II, III, IV or V.

ELECTRICAL COMPONENTS

- F** Ballast - Easily accessible, the ballast is mounted on a removable heavy gauge galvanized steel tray, is equipped with a quick disconnect wiring system and is factory pre wired and tested. It has a high power-factor of 90% or more and is either CWA, CWI, HX, or reactor type. All electrical components are CSA and UL approved.
- Socket - Made of porcelain and 4KV pulse rated. For 175W or less, medium base and for 200W or more, mogul base (lamp not included).

FINISH

- All surfaces are chemically treated against corrosion through a multi-stage immersion process. The polyester powder finish is applied by a thermostatic process offering an excellent protection conforming to ASTM G7, D-2247 and B-117/D-1654 standards. Standard colours are black, bronze and white with a textured finish. Consult SDL's "Colour Selection Guide" for others.

OPTIONS

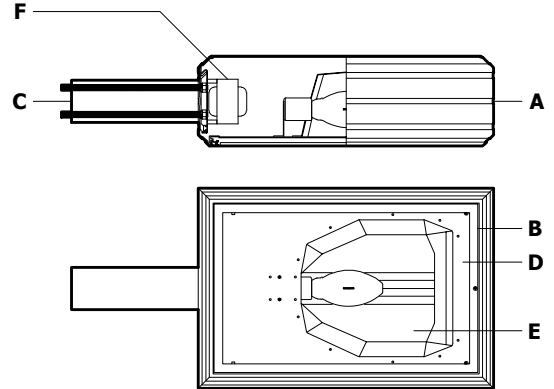
- Photoelectric cell - Integrated in a button type polymer housing. CSA and UL approved.

HARDWARE

- All exterior hardware is made of stainless steel.

WARRANTY

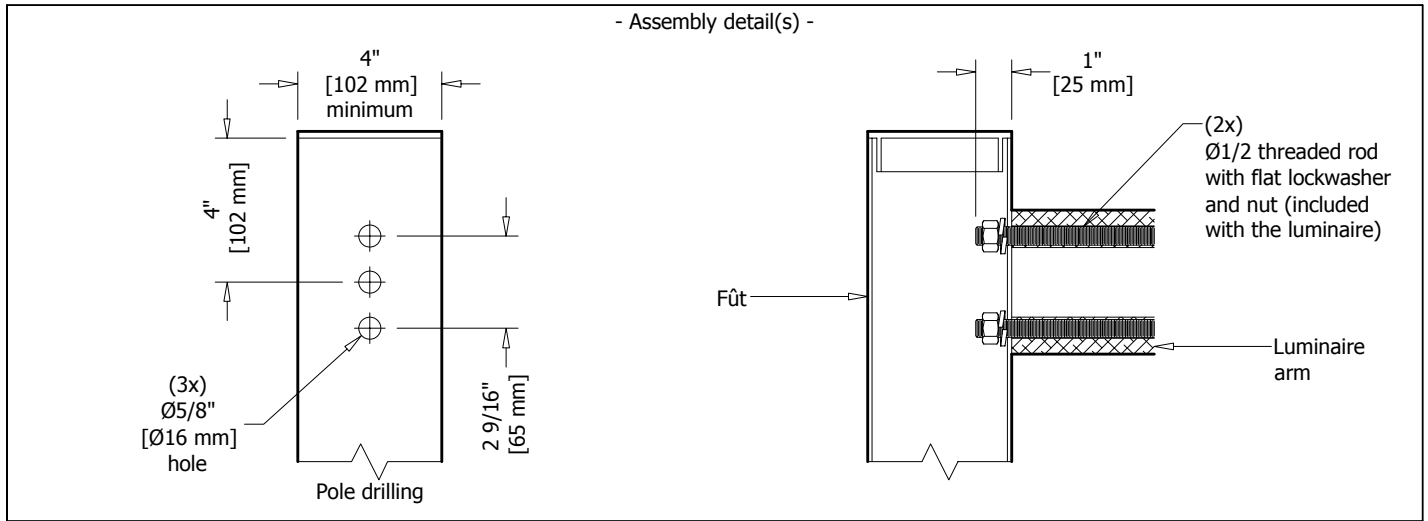
- This product has a three year warranty on the finish and against any manufacturing defect. The ballast and its components are covered by the manufacturer's warranty.



Up to 175W EPA — 2,31 sq ft Weight — 39 lb (17,7 kg) 200W to 400W EPA — 2,66 sq ft Weight — 48 lb (21,8 kg)	
Up to 175W: 8" [204 mm] 200W to 400W: 12" [305 mm]	
Up to 175W: 16 x 24" [407 x 610 mm] 200W to 400W: 19 x 28" [483 x 712 mm]	

Type	Quantity	Model	Distribution	Wattage	Voltage	Colour	Other components
<input type="text"/>	<input type="text"/>	<input type="text"/>	<input type="text"/>	<input type="text"/>	<input type="text"/>	<input type="text"/>	<input type="text"/>
Submitted on _____ for <input type="checkbox"/> Information <input type="checkbox"/> Approval				Project — _____			
Socket — <input type="checkbox"/> Medium <input type="checkbox"/> Mogul <input type="checkbox"/> _____				Distributor — _____			
Other(s) — <input style="width: 100%;" type="text"/>				Your order # — _____			
				Representative — _____			
				Our order # — _____			

- Assembly detail(s) -



- Specification guide -

IES distribution	Wattage	Voltage	Colour	Other components
Reflector Type 2 RD2 <input type="checkbox"/> Type 3 RD3 <input type="checkbox"/> Type 4 RD4 <input type="checkbox"/> Type 5 RD5 <input type="checkbox"/>	MH 175H <input type="checkbox"/> 250H ● <input type="checkbox"/> 400H ● <input type="checkbox"/> <hr/> MH pulse start 70P <input type="checkbox"/> 100P <input type="checkbox"/> 125P <input type="checkbox"/> 150P <input type="checkbox"/> 200P ● <input type="checkbox"/> 250P ● <input type="checkbox"/> 320P ● <input type="checkbox"/> 350P ● <input type="checkbox"/> 400P ● <input type="checkbox"/> <hr/> HPS 70S <input type="checkbox"/> 100S <input type="checkbox"/> 150S <input type="checkbox"/> 200S ▲ <input type="checkbox"/> 250S ▲ <input type="checkbox"/> 400S ▲ <input type="checkbox"/>	120 <input type="checkbox"/> 208 <input type="checkbox"/> 240 <input type="checkbox"/> 277 <input type="checkbox"/> 347 <input type="checkbox"/>	Standard Colours Textured black A11 <input type="checkbox"/> Textured bronze B11 <input type="checkbox"/> Textured white C11 <input type="checkbox"/> <hr/> Special Colours Textured beige D11 <input type="checkbox"/> Silver E10 <input type="checkbox"/> Silver charcoal E20 <input type="checkbox"/> Textured grey blue G11 <input type="checkbox"/> Textured blue H11 <input type="checkbox"/> Textured dark blue H21 <input type="checkbox"/> Textured dark turquoise J11 <input type="checkbox"/> Textured turquoise J21 <input type="checkbox"/> Textured forest green K11 <input type="checkbox"/> Textured dark forest green K21 <input type="checkbox"/> Textured dark green K31 <input type="checkbox"/> Fine textured dark green K42 <input type="checkbox"/> Textured red M11 <input type="checkbox"/> Textured burgundy M21 <input type="checkbox"/> Fine textured patina X11 <input type="checkbox"/> Custom colour CC ★ <input type="checkbox"/>	Compulsory Decorative bands Quantity _____ 0 <input type="checkbox"/> _____ 1 <input type="checkbox"/> _____ 2 <input type="checkbox"/> _____ 3 <input type="checkbox"/> <hr/> Colour Black A <input type="checkbox"/> White C <input type="checkbox"/> Blue H <input type="checkbox"/> Red M <input type="checkbox"/> Others <input type="checkbox"/> ★ <input type="checkbox"/> <hr/> Optional Button type photoelectric cell PB <input type="checkbox"/>

 Up to 175W:
medium
socket

 200W and up:
mogul
socket

- ▲ Use ED-18 bulb type
- Use ED-28 bulb type
- ★ Consult manufacturer

 General note : When ordering, please specify
Ø of the pole.

IMPORTANT NOTICE
Éclairage SDL inc. disclaims any responsibility for problems that could occur from a combination of third party products with those of Éclairage SDL inc.

Order example	95F	-	RD2	-	175H	-	120	-	A11	-	0/PB
	Model		Distribution		Wattage		Voltage		Colour		Other components