

**CONSTRUCTION**

- A** Housing - Consists of a frame made of extruded aluminium and welded to the perimeter of a heavy gauge aluminium roof. An extruded aluminium hook is used to support the electrical components and to strengthen the housing. The frame of the housing includes three grooves that allow, if desired, the addition of one, two or three coloured band(s) of black, white, blue or red. An internal plate equipped with hinges and made of steel provides access to the ballast and its electrical components.
- B** Lens frame - Built of extruded aluminium parts and equipped with an integrated hinge. A high-strength EPDM gasket ensures sealing of the luminaire and prevents dust from infiltrating.
- C** Mounting arm - Made of a 4" by 4" (102 mm by 102 mm) heavy gauge aluminium extrusion with a square section. The arm includes two internal hollow grooves that support two Ø1/2" (13 mm) support threaded rods made of zinc plated steel.

**OPTICS**

- D** Lens - Made of tempered glass, clear, flat and heat resistant.
- E** Reflector - Made of segmented specular aluminium for multi-image duplication of the luminous arc. Offers a photometric distribution of IES type II, III, IV or V.

**ELECTRICAL COMPONENTS**

- F** Ballast - Easily accessible, the ballast is mounted on a removable heavy gauge galvanized steel tray, is equipped with a quick disconnect wiring system and is factory pre wired and tested. It has a high power-factor of 90% or more and is either CWA, CWI, HX, or reactor type. All electrical components are CSA and UL approved.
- Socket - Made of porcelain and 4KV pulse rated. For 175W or less, medium base and for 200W or more, mogul base (lamp not included).

**FINISH**

- All surfaces are chemically treated against corrosion through a multi-stage immersion process. The polyester powder finish is applied by a thermostatic process offering an excellent protection conforming to ASTM G7, D-2247 and B-117/D-1654 standards. Standard colours are black, bronze and white with a textured finish. Consult SDL's "Colour Selection Guide" for others.

**OPTIONS**

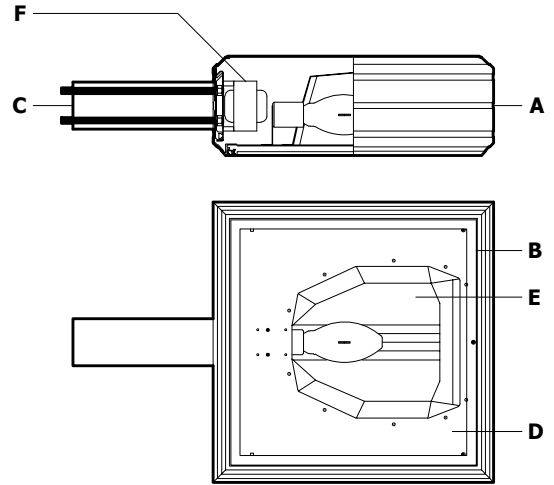
- Photoelectric cell - Integrated in a button type polymer housing. CSA and UL approved.

**HARDWARE**

- All exterior hardware is made of stainless steel.

**WARRANTY**

- This product has a three year warranty on the finish and against any manufacturing defect. The ballast and its components are covered by the manufacturer's warranty.



|  |
|--|
| Up to 175W<br>EPA — <b>2,2 sq ft</b><br>Weight — <b>32,5 lb (14,7 kg)</b>  |
| 200W to 400W<br>EPA — <b>2,67 sq ft</b><br>Weight — <b>50 lb (22,7 kg)</b> |

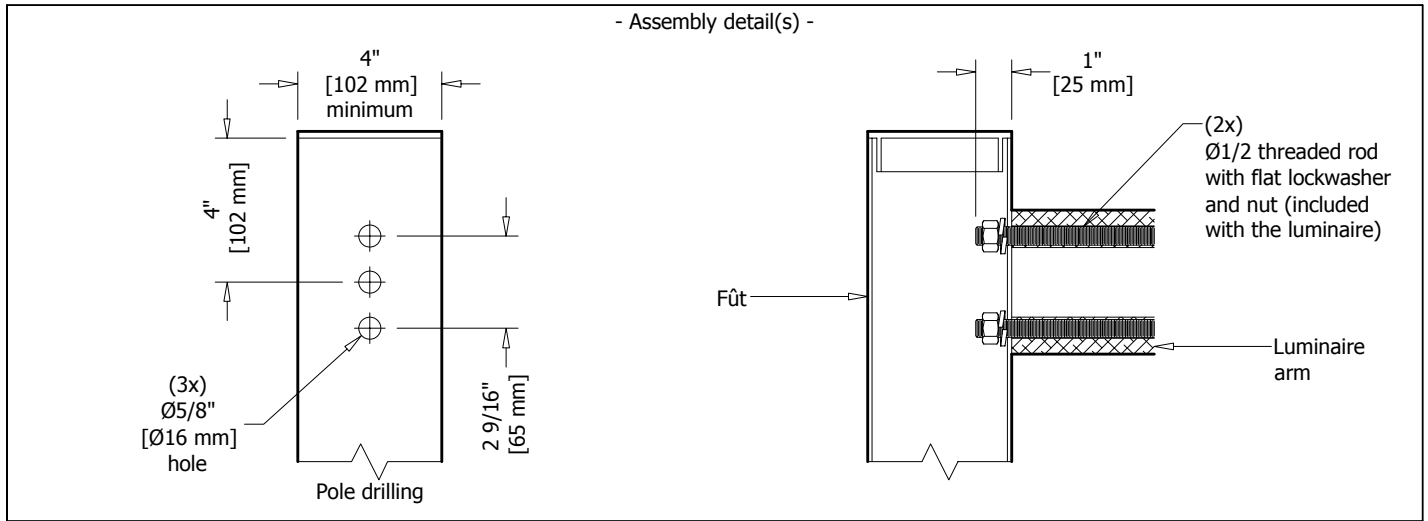
|  |  |
|--|--|
| Up to 175W:<br>8" [204 mm]               |  |
| 200W to 400W:<br>12" [305 mm]            |  |
| Up to 175W:<br>18 x 18" [458 x 458 mm]   |  |
| 200W to 400W:<br>24 x 24" [610 x 610 mm] |  |

|      |          |       |              |         |         |        |                  |
|------|----------|-------|--------------|---------|---------|--------|------------------|
| Type | Quantity | Model | Distribution | Wattage | Voltage | Colour | Other components |
|      |          |       | -            | -       | -       | -      | -                |

|  |                        |
|--|------------------------|
| Submitted on _____ for <input type="checkbox"/> <b>Information</b> <input type="checkbox"/> <b>Approval</b>          | Project — _____        |
| Socket — <input type="checkbox"/> <b>Medium</b> <input type="checkbox"/> <b>Mogul</b> <input type="checkbox"/> _____ | Distributor — _____    |
| Other(s) — _____   | Your order # — _____   |
|  | Representative — _____ |
|  | Our order # — _____    |

## - Assembly detail(s) -



## - Specification guide -

| IES distribution   | Wattage  | Voltage  | Colour   | Other components   |
|--|--|--|--|--|
| <b>Reflector</b><br><br>Type 2 <input type="checkbox"/> <b>RD2</b><br>Type 3 <input type="checkbox"/> <b>RD3</b><br>Type 4 <input type="checkbox"/> <b>RD4</b><br>Type 5 <input type="checkbox"/> <b>RD5</b> | <b>MH</b><br>175H <input type="checkbox"/><br>250H <input checked="" type="checkbox"/><br>400H <input checked="" type="checkbox"/><br><br><b>MH pulse start</b><br>70P <input type="checkbox"/><br>100P <input type="checkbox"/><br>125P <input type="checkbox"/><br>150P <input type="checkbox"/><br>200P <input checked="" type="checkbox"/><br>250P <input checked="" type="checkbox"/><br>320P <input checked="" type="checkbox"/><br>350P <input checked="" type="checkbox"/><br>400P <input checked="" type="checkbox"/><br><br><b>HPS</b><br>70S <input type="checkbox"/><br>100S <input type="checkbox"/><br>150S <input type="checkbox"/><br>200S <input checked="" type="checkbox"/><br>250S <input checked="" type="checkbox"/><br>400S <input checked="" type="checkbox"/> | 120 <input type="checkbox"/><br>208 <input type="checkbox"/><br>240 <input type="checkbox"/><br>277 <input type="checkbox"/><br>347 <input type="checkbox"/> | <b>Standard Colours</b><br>Textured black <input type="checkbox"/> <b>A11</b><br>Textured bronze <input type="checkbox"/> <b>B11</b><br>Textured white <input type="checkbox"/> <b>C11</b><br><br><b>Special Colours</b><br>Textured beige <input type="checkbox"/> <b>D11</b><br>Silver <input type="checkbox"/> <b>E10</b><br>Silver charcoal <input type="checkbox"/> <b>E20</b><br>Textured grey blue <input type="checkbox"/> <b>G11</b><br>Textured blue <input type="checkbox"/> <b>H11</b><br>Textured dark blue <input type="checkbox"/> <b>H21</b><br>Textured dark turquoise <input type="checkbox"/> <b>J11</b><br>Textured turquoise <input type="checkbox"/> <b>J21</b><br>Textured forest green <input type="checkbox"/> <b>K11</b><br>Textured dark forest green <input type="checkbox"/> <b>K21</b><br>Textured dark green <input type="checkbox"/> <b>K31</b><br>Fine textured dark green <input type="checkbox"/> <b>K42</b><br>Textured red <input type="checkbox"/> <b>M11</b><br>Textured burgundy <input type="checkbox"/> <b>M21</b><br>Fine textured patina <input type="checkbox"/> <b>X11</b><br>Custom colour <input type="checkbox"/> <b>CC</b> ★ | <b>Compulsory</b><br>Decorative bands<br>Quantity _____ <b>0</b> <input type="checkbox"/><br>_____ <b>1</b> <input type="checkbox"/><br>_____ <b>2</b> <input type="checkbox"/><br>_____ <b>3</b> <input type="checkbox"/><br><br>Colour Black _____ <b>A</b> <input type="checkbox"/><br>White _____ <b>C</b> <input type="checkbox"/><br>Blue _____ <b>H</b> <input type="checkbox"/><br>Red _____ <b>M</b> <input type="checkbox"/><br>Others _____ <b>★</b> <input type="checkbox"/> |

 Up to 175W:  
medium  
socket

 200W and up:  
mogul  
socket

- ▲ Use ED-18 bulb type
- Use ED-28 bulb type
- ★ Consult manufacturer

General note : When ordering, please specify the Ø of the pole.

**IMPORTANT NOTICE**  
Éclairage SDL inc. disclaims any responsibility for problems that could occur from a combination of third party products with those of Éclairage SDL inc.

|               |            |   |              |   |             |   |            |   |            |   |                  |
|---------------|------------|---|--------------|---|-------------|---|------------|---|------------|---|------------------|
| Order example | <b>94F</b> | - | <b>RD2</b>   | - | <b>175H</b> | - | <b>120</b> | - | <b>A11</b> | - | <b>0/PB</b>      |
|               | Model      |   | Distribution |   | Wattage     |   | Voltage    |   | Colour     |   | Other components |