

CONSTRUCTION

- A** Housing - Consists of a frame made of extruded aluminium and welded to the perimeter of a heavy gauge aluminium roof. An extruded aluminium hook is used to support the electrical components and to strengthen the housing. The frame of the housing includes three grooves that allow, if desired, the addition of one, two or three coloured band(s) of black, white, blue or red. An internal plate equipped with hinges and made of steel provides access to the ballast and its electrical components.
- B** Lens frame - Built of extruded aluminium parts and equipped with an integrated hinge. A high-strength EPDM gasket ensures sealing of the luminaire and prevents dust from infiltrating.
- C** Mounting arm - Consists of heavy gauge aluminium tubes with a square section, welded to a cylindrical holder and bolted to the housing. The holder fits on a Ø3 1/2" (89 mm) tenon and is fixed by means of six stainless steel set screws.

OPTICS

- D** Lens - Made of tempered glass, clear, flat and heat resistant.
- E** Reflector - Made of segmented specular aluminium for multi-image duplication of the luminous arc. Offers a photometric distribution of IES type II, III, IV or V.

ELECTRICAL COMPONENTS

- F** Ballast - Easily accessible, the ballast is mounted on a removable heavy gauge galvanized steel tray, is equipped with a quick disconnect wiring system and is factory pre wired and tested. It has a high power-factor of 90% or more and is either CWA, CWI, HX, or reactor type. All electrical components are CSA and UL approved.
- Socket - Made of porcelain and 4KV pulse rated. For 175W or less, medium base and for 200W or more, mogul base (lamp not included).

FINISH

- All surfaces are chemically treated against corrosion through a multi-stage immersion process. The polyester powder finish is applied by a thermostatic process offering an excellent protection conforming to ASTM G7, D-2247 and B-117/D-1654 standards. Standard colours are black, bronze and white with a textured finish. Consult SDL's "Colour Selection Guide" for others.

OPTIONS

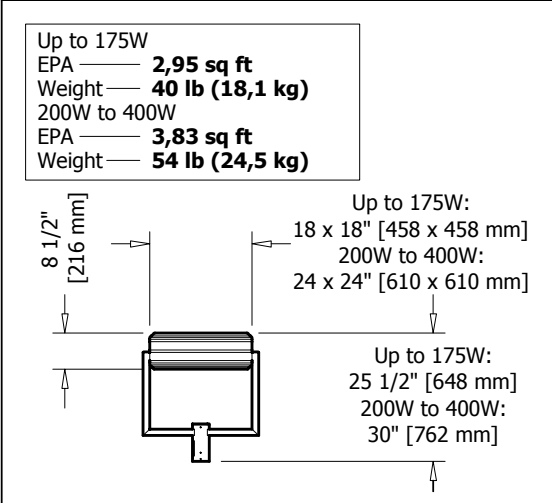
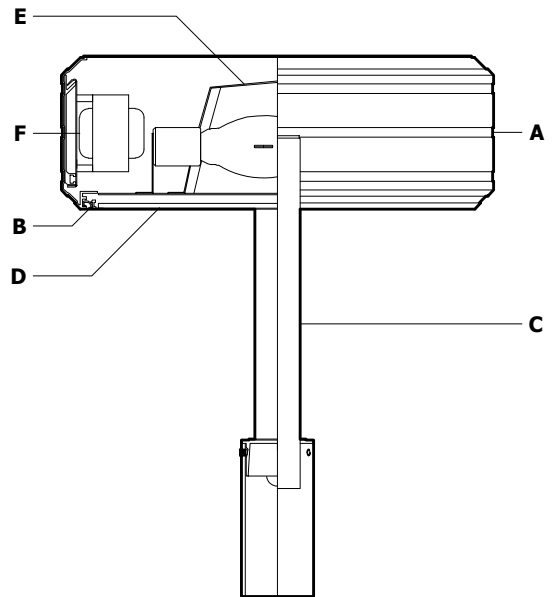
- Photoelectric cell - Integrated in a button type polymer housing. CSA and UL approved.

HARDWARE

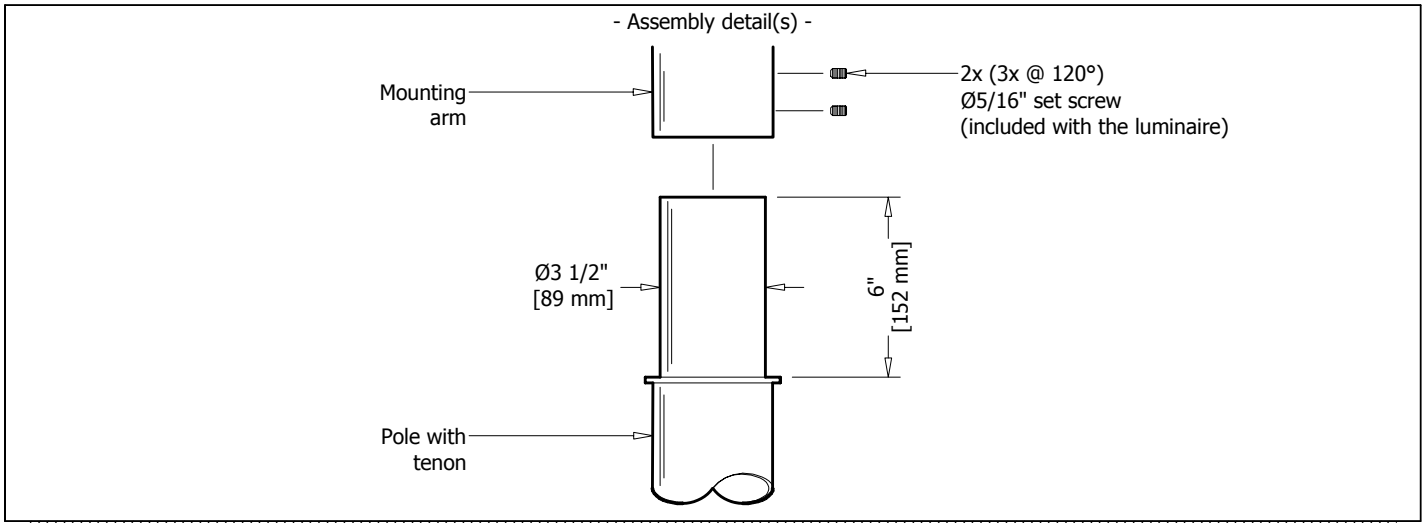
- All exterior hardware is made of stainless steel.

WARRANTY

- This product has a three year warranty on the finish and against any manufacturing defect. The ballast and its components are covered by the manufacturer's warranty.



Type	Quantity	Model	Distribution	Wattage	Voltage	Colour	Other components
<input type="text"/>	<input type="text"/>	<input type="text"/>	<input type="text"/>	<input type="text"/>	<input type="text"/>	<input type="text"/>	<input type="text"/>
Submitted on _____ for <input type="checkbox"/> Information <input type="checkbox"/> Approval				Project — _____			
Socket — <input type="checkbox"/> Medium <input type="checkbox"/> Mogul <input type="checkbox"/> _____				Distributor — _____			
Other(s) — <input style="width: 100%;" type="text"/>				Your order # — _____			
				Representative — _____			
				Our order # — _____			



- Specification guide -

IES distribution	Wattage	Voltage	Colour	Other components
<p style="text-align: center;">Reflector</p> <p>Type 2 <input type="checkbox"/> RD2</p> <p>Type 3 <input type="checkbox"/> RD3</p> <p>Type 4 <input type="checkbox"/> RD4</p> <p>Type 5 <input type="checkbox"/> RD5</p>	<p style="text-align: center;">MH</p> <p>175H <input type="checkbox"/></p> <p>250H ● <input type="checkbox"/></p> <p>400H ● <input type="checkbox"/></p> <hr/> <p style="text-align: center;">MH pulse start</p> <p>70P <input type="checkbox"/></p> <p>100P <input type="checkbox"/></p> <p>125P <input type="checkbox"/></p> <p>150P <input type="checkbox"/></p> <p>200P ● <input type="checkbox"/></p> <p>250P ● <input type="checkbox"/></p> <p>320P ● <input type="checkbox"/></p> <p>350P ● <input type="checkbox"/></p> <p>400P ● <input type="checkbox"/></p> <hr/> <p style="text-align: center;">HPS</p> <p>70S <input type="checkbox"/></p> <p>100S <input type="checkbox"/></p> <p>150S <input type="checkbox"/></p> <p>200S ▲ <input type="checkbox"/></p> <p>250S ▲ <input type="checkbox"/></p> <p>400S ▲ <input type="checkbox"/></p>	<p>120 <input type="checkbox"/></p> <p>208 <input type="checkbox"/></p> <p>240 <input type="checkbox"/></p> <p>277 <input type="checkbox"/></p> <p>347 <input type="checkbox"/></p>	<p style="text-align: center;">Standard Colours</p> <p>Textured black _____ A11 <input type="checkbox"/></p> <p>Textured bronze _____ B11 <input type="checkbox"/></p> <p>Textured white _____ C11 <input type="checkbox"/></p> <hr/> <p style="text-align: center;">Special Colours</p> <p>Textured beige _____ D11 <input type="checkbox"/></p> <p>Silver _____ E10 <input type="checkbox"/></p> <p>Silver charcoal _____ E20 <input type="checkbox"/></p> <p>Textured grey blue _____ G11 <input type="checkbox"/></p> <p>Textured blue _____ H11 <input type="checkbox"/></p> <p>Textured dark blue _____ H21 <input type="checkbox"/></p> <p>Textured dark turquoise _____ J11 <input type="checkbox"/></p> <p>Textured turquoise _____ J21 <input type="checkbox"/></p> <p>Textured forest green _____ K11 <input type="checkbox"/></p> <p>Textured dark forest green _____ K21 <input type="checkbox"/></p> <p>Textured dark green _____ K31 <input type="checkbox"/></p> <p>Fine textured dark green _____ K42 <input type="checkbox"/></p> <p>Textured red _____ M11 <input type="checkbox"/></p> <p>Textured burgundy _____ M21 <input type="checkbox"/></p> <p>Fine textured patina _____ X11 <input type="checkbox"/></p> <p>Custom colour _____ CC ★ <input type="checkbox"/></p>	<p style="text-align: center;">Compulsory</p> <p> Decorative bands</p> <p>Quantity _____ 0 <input type="checkbox"/></p> <p>_____ 1 <input type="checkbox"/></p> <p>_____ 2 <input type="checkbox"/></p> <p>_____ 3 <input type="checkbox"/></p> <hr/> <p>Colour</p> <p>Black _____ A <input type="checkbox"/></p> <p>White _____ C <input type="checkbox"/></p> <p>Blue _____ H <input type="checkbox"/></p> <p>Red _____ M <input type="checkbox"/></p> <p>Others _____ ★ <input type="checkbox"/></p> <hr/> <p style="text-align: center;">Optional</p> <p> Button type photoelectric cell _____ PB <input type="checkbox"/></p>

Up to 175W:
medium
socket

200W and up:
mogul
socket

- ▲ Use ED-18 bulb type
- Use ED-28 bulb type
- ★ Consult manufacturer

IMPORTANT NOTICE

Éclairage SDL inc. disclaims any responsibility for problems that could occur from a combination of third party products with those of Éclairage SDL inc.

Order example — **94Y** - **RD2** - **175H** - **120** - **A11** - **0/PB**

Model Distribution Wattage Voltage Colour Other components