



APPD-352.02

5th Avenue

Designer - Loïc Beuchet

- NP
- MW
- RD
- BL
- OL
- EB
- SM
- PM
- CM


• Mounting


Pendant mount on octagonal J-Box (4x4)

• Material

Fibre Reinforced Plaster™

• Lamp type (lamps not included)

 x 4
F28WT5 G5
Fluorescent Tube, 2-Pin

 x 4
F54WT5HO G5
Fluorescent Tube, 2-Pin

• Voltage and Ballast

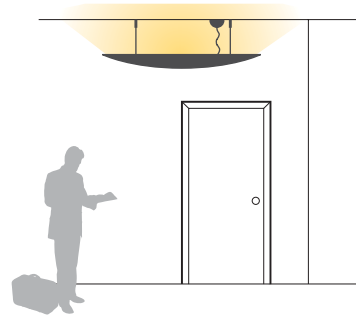
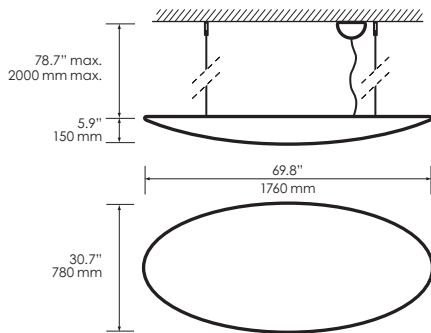
- All our fluorescent lighting fixtures are available in 120 or 277 Volts
- All our ballasts are electronic and are less than 10% THD
- For 347 Volt ballast, please consult the factory
- For electronic dimming ballast, please consult the factory

• Dimensions (Length x Height x Depth)



69.3" x 5.9" x 30.7"

• Weight

48.6 lbs.



HOW TO SPECIFY

SERIES	MODEL#	LAMP TYPE	VOLTAGE	FINISH
APPD	352.02	→ _____	→ _____	→ _____
		 F28WT5  F54WT5HO	120 = 120 Volts 277 = 277 Volts	NP = NATURAL PLASTER SM = SILVER MATTE MW = MATTE WHITE PM = PLATINUM MATTE RD = RED CM = COPPER MATTE BL = BLUE OL = OLIVE EB = EBONY
Architectural Plaster Pendant				