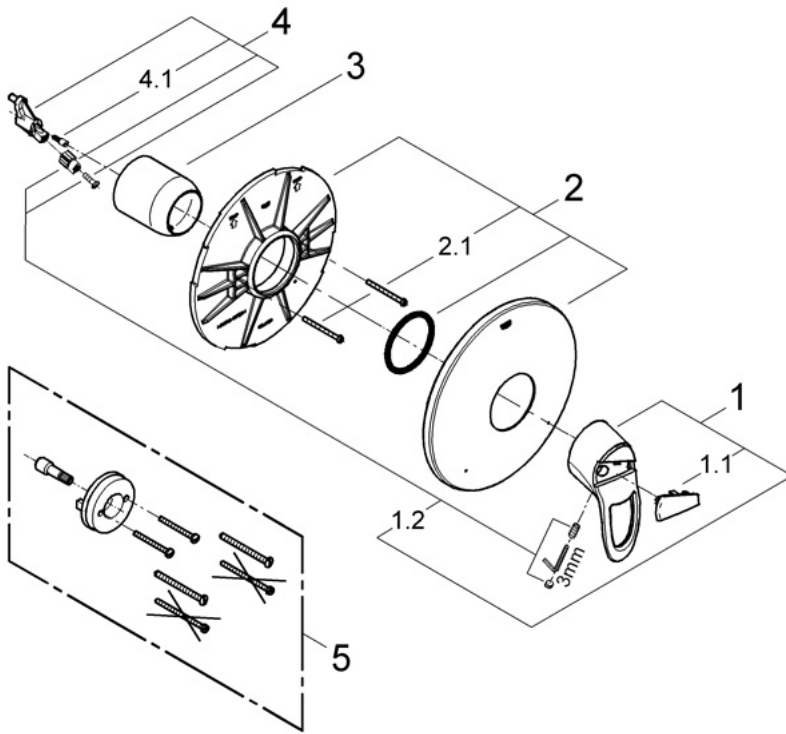


**Chiara Neu 19 183**  
**Pressure Balance Valve Trim**

**Exploded View**



**Parts Breakdown**

Pos No.	Spare Part Description	Product No.	Pcs.
	<b>19 183</b>		
1	Lever	46 531	1
1.1	Lever cover cap	11 280	1
1.2	Handle fastening set	46 528	1
2	Escutcheon	47 684	1
2.1	Screws	00 329	1
3	Chrome cap for 19704/5/6	46 264	1
4	Lever adapter/19704/5/6	46 265	1
4.1	46265 screw	02 653	1
	<b>Special Accessories</b>		
5	Grohsafe extension	47 344	1