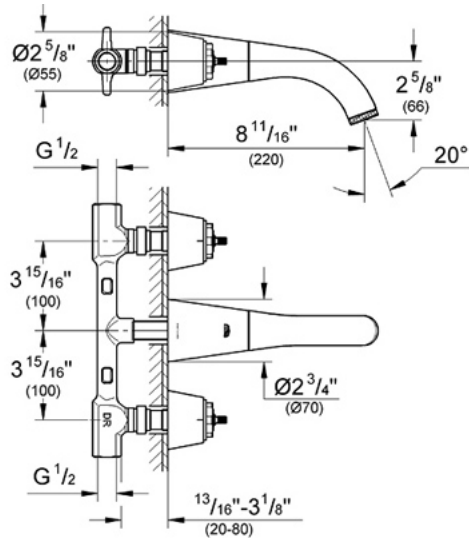


F1 21 080

Wall-Mount Vessel Faucet



Description

-LIMITED AVAILABILITY-

Design by F.A. Porsche
 Unique ALU-XT aluminum-colored satin finish
 8 3/4" spout
 3-hole wall-mount installation
 Solid brass
 Ceramic cartridges
 Sold less handles. Shown with F1 cone handles (21 085)
 and F1 lever handles (21 084).

Flow Rate

2.2 gpm at 60 psi, 2.5 gpm at 80 psi

Code Compliance

- * ASME/ANSI A112.18.1M
- * ANSI/NSF Standard 61

Finish Options

21 080 BKO ALU-XT