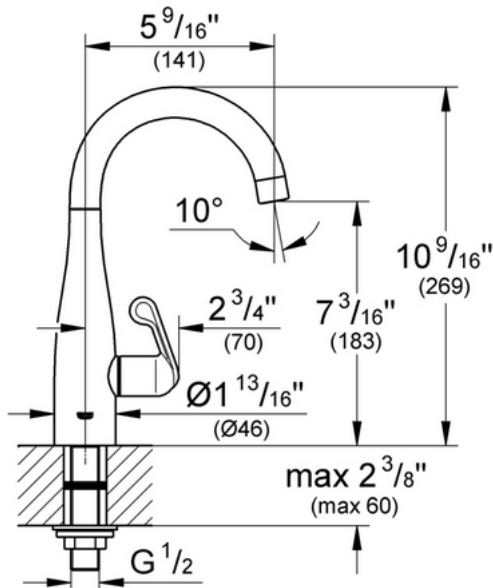


# Ladylux Pro 30 017

## High Profile Basin/Pillar Tap



### Description

GROHE RealSteel - stainless steel construction  
 GROHE SilkMove ceramic cartridge  
 Single Inlet - Hot or Cold water  
 5 9/16" swivel spout

IAPMO file # 1750

### Flow Rate

2.2 gpm at 45 psi, 2.5 gpm at 80 psi  
 (9.5 lpm)

### Code Compliance

- \* ASME/ANSI A112.18.1M
- \* ANSI/NSF Standard 61
- \* ADA Compliant

### Finish Options

30 017 SDO Stainless Steel