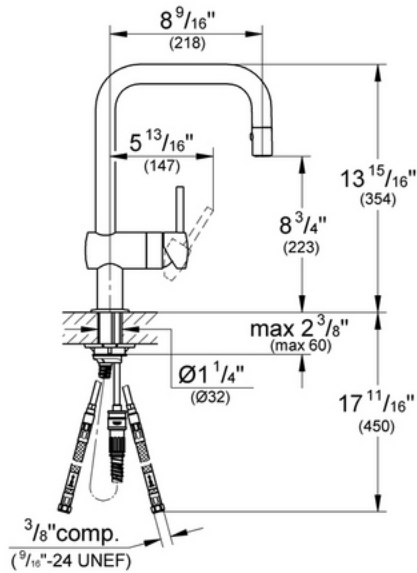


# Minta 32 319

## High Profile with Pull Down Faucet



### Description

GROHE SilkMove® Ceramic Cartridge  
 SpeedClean® Anti-Lime System  
 Locking Push Button Control - to switch from regular flow to spray  
 Stainless Steel Braided Flexible Supplies  
 Quick Installation System  
 Single Lever Handle  
 Variable Handle Positioning  
 8 9/16" Spout Reach

### Flow Rate

2.2 gpm at 45 psi, 2.5 gpm at 80 psi  
 (9.5 lpm)

### Code Compliance

- \* ASME/ANSI A112.18.1M
- \* ANSI/NSF Standard 61
- \* CSA Standard B125.1-05
- \* ADA Compliant

### Finish Options

- 32 319 OOO Chrome
- 32 319 DCO SuperSteel