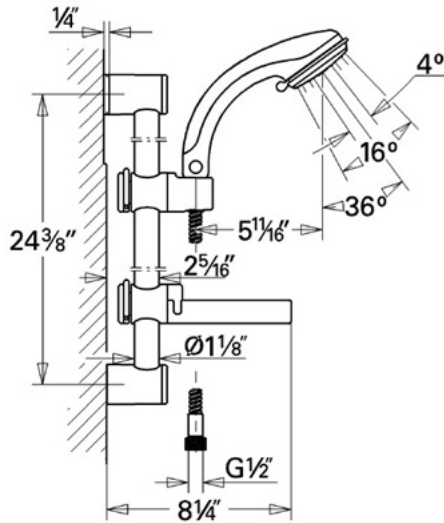


Relexa 28 644

Dual hand shower system



Description

Includes: 24" shower bar, 28 620
Dual hand shower, 28 173
Shower hose, 28 105
Soap dish, 28 631

Flow Rate

2.5 gpm at 80 psi (9.5 lpm)

Code Compliance

- * ASME/ANSI A112.18.1M
- * ADA Compliant

Finish Options

28 644 000 Chrome