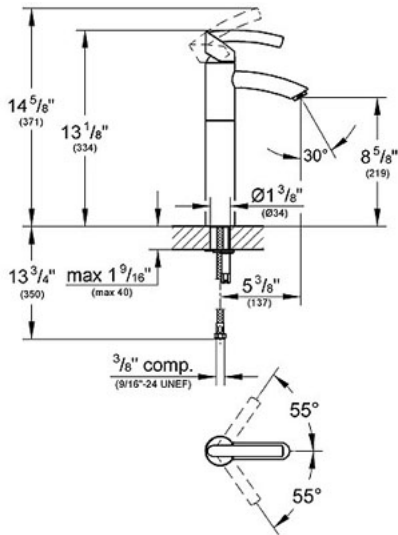


Tenso 32 425

Deck Mount Vessel Faucet



Description

Single-lever handle
13" tall
5 3/8" spout reach
Single-hole installation
Cast brass
Ceramic cartridge

Flow Rate

2.2 gpm at 60 psi,
2.5 gpm at 80 psi

Code Compliance

- * ASME/ANSI A112.18.1M
- * ANSI/NSF Standard 61
- * ADA Compliant

Finish Options

- 32 425 OOO Chrome
- 32 425 AVO Infinity Satin Nickel
- 32 425 ENO Infinity Brushed Nickel