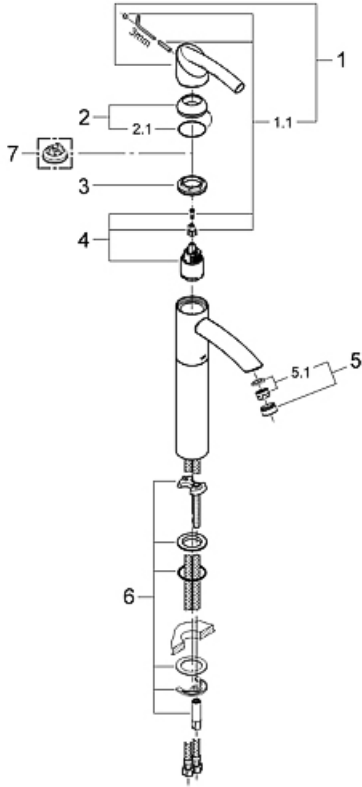


Tenso 32 425
Deck Mount Vessel Faucet

Exploded View



Parts Breakdown

Pos No.	Spare Part Description	Product No.	Pcs.
	32 425		
1	Lever complete	46 490	1
1.1	Handle connection set	46 491	1
2	Cartridge cap	46 492	1
2.1	Cap o-ring	05 915	1
3	Connection nut	05 773	1
4	Ceramic cartridge	46 374	1
5	Flow regulator	13 955	1
5.1	Filter insert	45 220	1
6	Mounting set	46 447	1
	Special Accessories		
7	Handle rotation stop	46 375	1