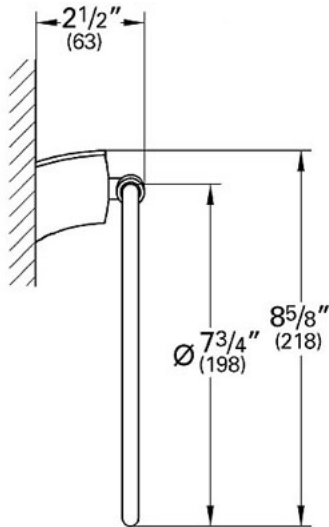


Tenso 40 290

8" Towel Ring



Description

8" towel ring

Flow Rate

NA

Code Compliance

* ASME/ANSI A112.18.1M

Finish Options

- 40 290 000 Chrome
- 40 290 AVO Infinity Satin Nickel
- 40 290 ENO Infinity Brushed Nickel