

DESCRIPTION

- High arc spout provides the perfect height and reach for prep sinks while the pulldown feature provides infinite maneuverability for food preparation tasks
- Single hole mounting
- Handle reversibility feature
- Wand with Hydrolock® quick connect system
- Metal construction with Chrome plating or Lifeshine Stainless finish
- Includes 67" hose
- 32" Flexible supply lines with 3/8" fittings connect directly to supply stops

OPERATION

- Single handle lever
- Includes three interchangeable flow inserts (aerated stream, laminar stream, spray); allows the Homeowner to customize the faucet to their needs

FLOW

- Flow is limited to 2.2 gpm (8.3 L/min) at 60 psi

CARTRIDGE

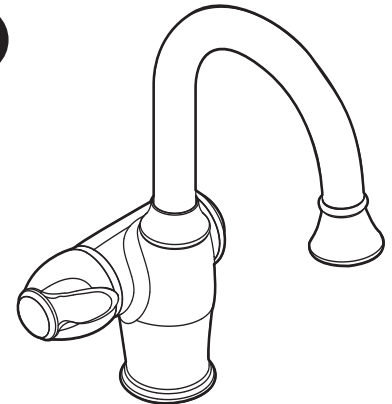
- 1225 cartridge design
- Engineered polymers, non-ferrous and stainless steel materials

STANDARDS

- Third party certified to CSA B125 and ASME A112.18.1M and all applicable requirements therein
- Certified to ANSI/NSF 61/9
- Complies with California Proposition 65 and with the Federal Safe Drinking Water Act
- The backflow protection system in this device consists of two independently operating check valves, a primary and a secondary which prevent backflow

WARRANTY

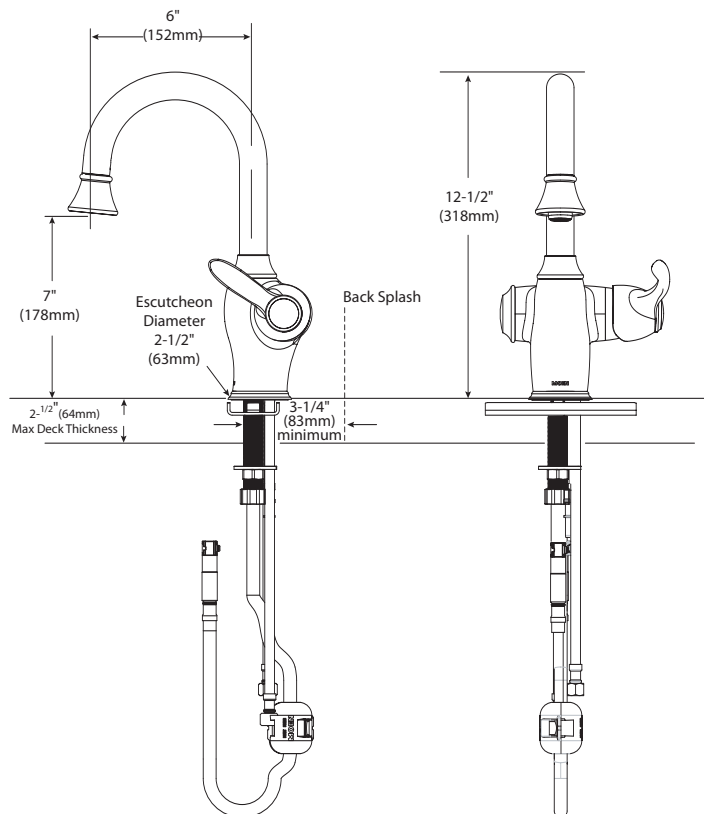
- Lifetime limited warranty against leaks, drips and finish defects to the original consumer purchaser
- 5 year warranty if used in commercial installations



**Woodmere™
Single Handle Single Hole Mount
High Arc Pulldown Prep Faucet**

Models: S628C, S628SL

NOTE: This faucet is designed to be installed thru 1 hole, 1" min. dia.



CRITICAL DIMENSIONS

(DO NOT SCALE)