

## SOLA 60 CHANDELIER

CODE CH-SOLA-60	DESIGNER Jeremy Pyles	DATE 2008	SERIES Sola Chandeliers
--------------------	--------------------------	--------------	----------------------------

### The modern chandelier – redefined.

With three easy choices, the SOLA CHANDELIER can be customized to suit your project. No two are alike. Each chandelier is hand-crafted in the United States.

#### 1. CHOOSE THE RING FINISH

Brushed (BA), Polished (PA), Architectural Bronze (AB), Antique Brass (AN) or Matte Black (MB)

#### 2. CHOOSE THE GLASS SHAPE

Solitaire, Pharos, Pod, Encalmo Stamen, Oculo, Minaret, Turret

#### 3. CHOOSE GLASS COLOR & ORIENTATION

Choose from any of the standard Niche Modern pendant colors; orientation of glass on ring can be adjusted in some cases (schematic dimensions vary with glass choice)

#### LEAD TIME

Allow approximately 6 - 8 weeks for production. Call for details.

#### DIMENSIONS

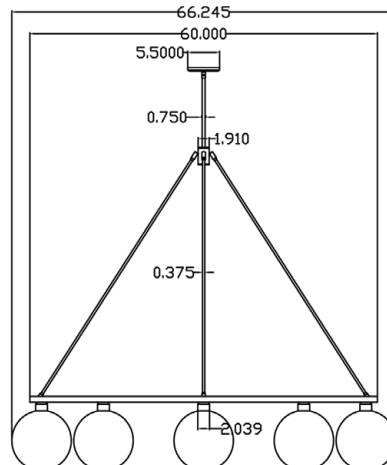
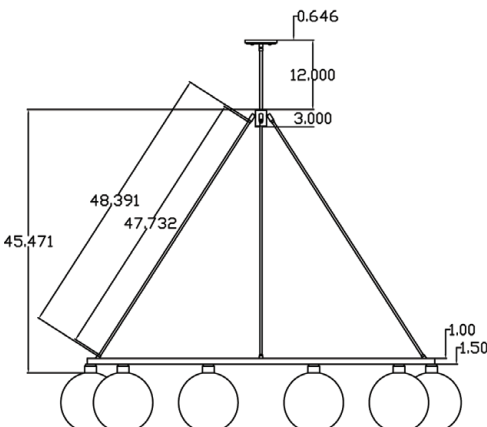
ring diameter: 60", height customizable

#### VOLTAGE

120v, 240v available for some bulbs



60" SOLA WITH BRUSHED FINISH & OCULO GLASS IN CRIMSON



CEILING CANOPY WITH HANG STRAIGHT COUPLING

### CLIENT INFO

CLIENT	PROJECT	ROOM	PLACEMENT
PREPARED BY	COMPANY	PHONE	EMAIL
APPROVED BY			DATE

SOLA 60 CHANDELIER

CODE CH-SOLA-60	DESIGNER Jeremy Pyles	DATE 2008	SERIES Sola Chandeliers
--------------------	--------------------------	--------------	----------------------------



60" SOLA WITH SOLITAIRE GLASS IN PLUM



60" SOLA WITH POD GLASS IN AMBER



60" SOLA WITH PHAROS GLASS IN SOFT WHITE, UP ORIENTATION



60" SOLA WITH PHAROS GLASS IN SOFT WHITE, DOWN ORIENTATION