

SOLA 48 CHANDELIER

| | | | |
|--------------------|--------------------------|--------------|----------------------------|
| CODE CH-SOLA-48 | DESIGNER Jeremy Pyles | DATE 2008 | SERIES Sola Chandeliers |
|--------------------|--------------------------|--------------|----------------------------|

The modern chandelier – redefined.

With three easy choices, the SOLA CHANDELIER can be customized to suit your project. No two are alike. Each chandelier is hand-crafted in the United States.

1. CHOOSE THE RING FINISH

Brushed (BA), Polished (PA), Architectural Bronze (AB),
Antique Brass (AN) or Matte Black (MB)

2. CHOOSE THE GLASS SHAPE

Solitaire, Pharos, Pod, Encalmo Stamen, Oculo, Minaret, Turret

3. CHOOSE GLASS COLOR & ORIENTATION

Choose from any of the standard Niche Modern pendant colors;
orientation of glass on ring can be adjusted in some cases
(schematic dimensions vary with glass choice)

LEAD TIME

Allow approximately 6 - 8 weeks for production. Call for details.

DIMENSIONS

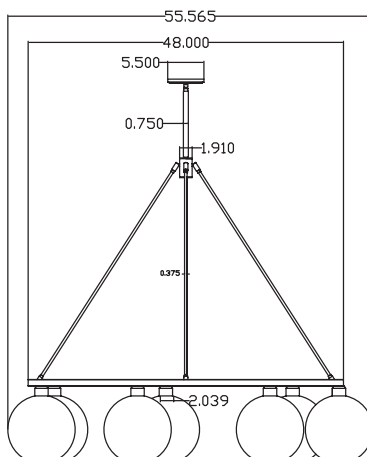
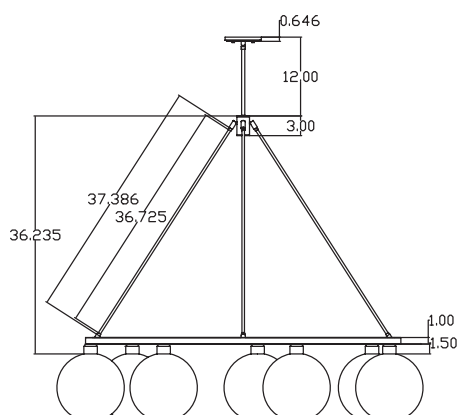
ring diameter: 48", height customizable

VOLTAGE

120v, 240v available for some bulbs



48" SOLA WITH BRUSHED FINISH & POD GLASS IN CRYSTAL



CEILING CANOPY WITH HANG
STRAIGHT COUPLING

CLIENT INFO

| | | | |
|-------------|---------|-------|-----------|
| CLIENT | PROJECT | ROOM | PLACEMENT |
| PREPARED BY | COMPANY | PHONE | EMAIL |
| APPROVED BY | | | DATE |

SOLA 48 CHANDELIER

| | | | |
|--------------------|--------------------------|--------------|----------------------------|
| CODE CH-SOLA-48 | DESIGNER Jeremy Pyles | DATE 2008 | SERIES Sola Chandeliers |
|--------------------|--------------------------|--------------|----------------------------|



48" SOLA WITH OCULO GLASS IN CHOCOLATE



48" SOLA WITH POD GLASS IN CRYSTAL



48" SOLA WITH PHAROS GLASS IN GRAY



48" SOLA WITH PHAROS GLASS IN SOFT WHITE