

SOLA 24 CHANDELIER

CODE CH-SOLA-24	DESIGNER Jeremy Pyles	DATE 2008	SERIES Sola Chandeliers
--------------------	--------------------------	--------------	----------------------------

The modern chandelier – redefined.

With three easy choices, the SOLA CHANDELIER can be customized to suit your project. No two are alike. Each chandelier is hand-crafted in the United States.

1. CHOOSE THE RING FINISH

Brushed (BA), Polished (PA), Architectural Bronze (AB), Antique Brass (AN) or Matte Black (MB)

2. CHOOSE THE GLASS SHAPE

8" Solitaire & Phaeton only

3. CHOOSE GLASS COLOR

Choose from any of the standard Niche Modern pendant colors; orientation of glass on ring can be adjusted in some cases (schematic dimensions vary with glass choice)

LEAD TIME

Allow approximately 6 - 8 weeks for production. Call for details.

DIMENSIONS

ring diameter: 24", height customizable.
ceiling flush-mount configuration available.

VOLTAGE

120v, 240v available for some bulbs

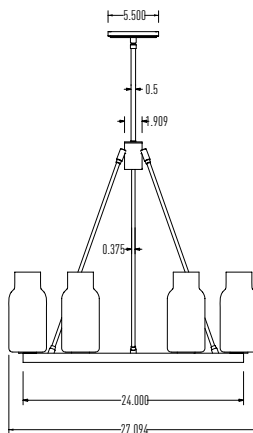
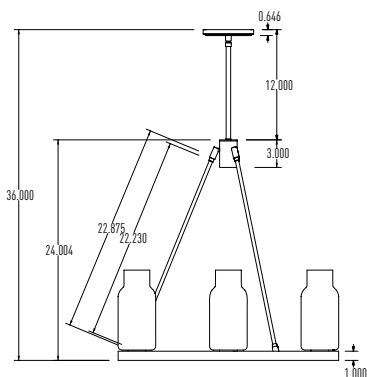
LAMPING

120v Phaeton ~ 6 x 40W (240W total)

120v Mini-Solitaire ~ 5 x 40W (200W total)



24" SOLA WITH BRUSHED FINISH & PHAETON GLASS IN SMOKE



CEILING CANOPY WITH HANG STRAIGHT COUPLING

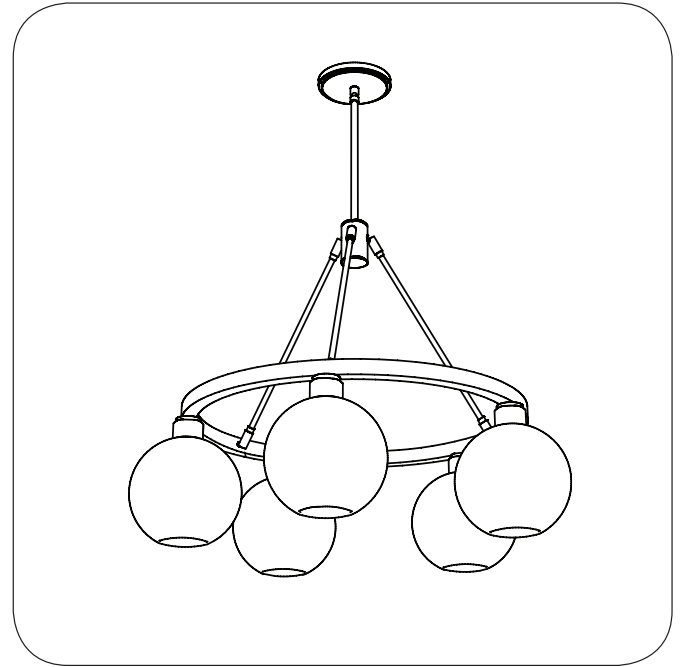
CLIENT INFO			
CLIENT	PROJECT	ROOM	PLACEMENT
PREPARED BY	COMPANY	PHONE	EMAIL
APPROVED BY			DATE

SOLA 24 CHANDELIER

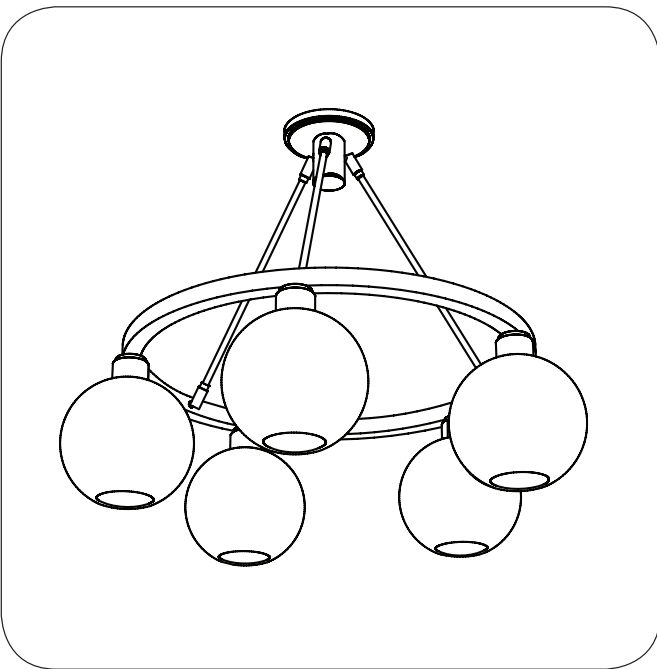
CODE CH-SOLA-24	DESIGNER Jeremy Pyles	DATE 2008	SERIES Sola Chandeliers
--------------------	--------------------------	--------------	----------------------------



24" SOLA WITH PHAETON GLASS IN SOFT WHITE



24" SOLA WITH 7.5" SOLITAIRE GLASS



24" SOLA WITH FLUSH CEILING MOUNT